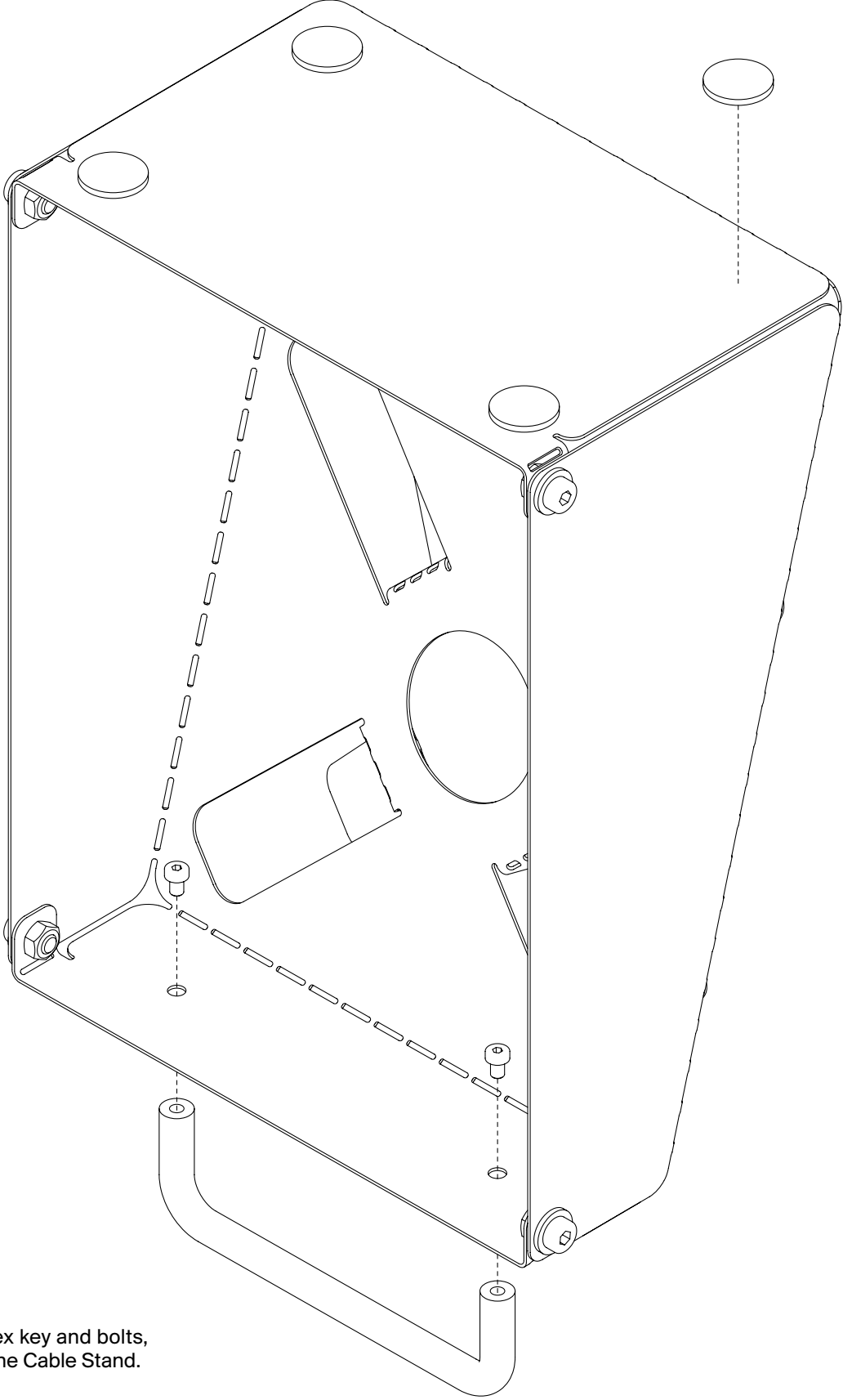


# Cable Stand

## Assembly Guide

pedestal®

# Cable Stand



## Task

Using the included hex key and bolts, mount the handle to the Cable Stand.

Stick the adhesive rubber dots onto the bottom of the Cable Stand.

## Parts

- 1 × Handle
- 2 × M5x8mm
- 4 × Rubber dots

