

Bloom

Assembly
Guide

pedestal®

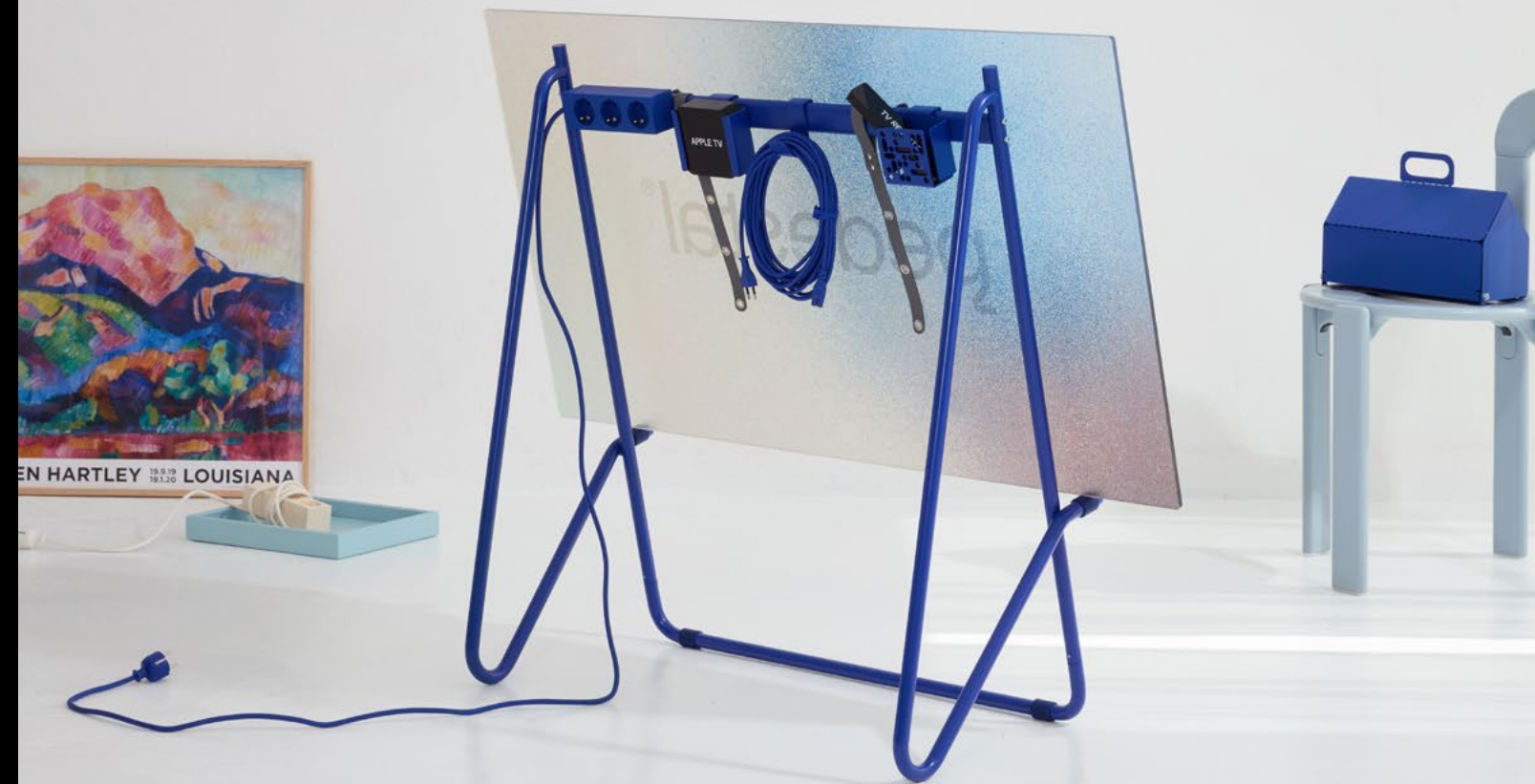
Bloom

Congrats on your new Pedestal product, and welcome to the world of Pedestal. You have entered a colorful world of design items made for you to elevate your interior design.

Deeply rooted in the Scandinavian design tradition, our products reflect our commitment to quality, functionality and simplicity.

Let's go on a colorful journey together - where form follows function playfully!

/Pedestal

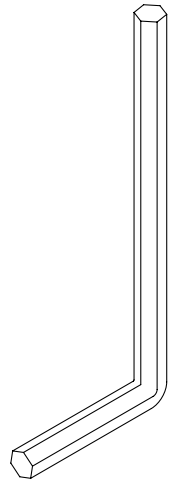


Use the QR code or type in the URL to access our guides.
www.pedestal.com/pages/manuals

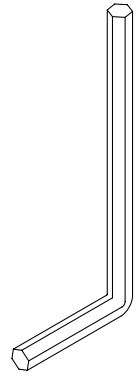
Parts

Assembly kit

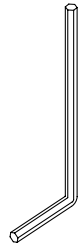
Putting your Pedestal together.



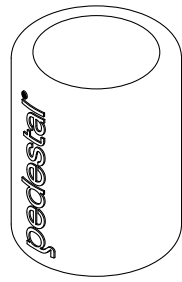
1x Hex Key 5 mm



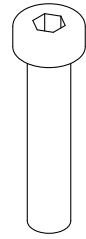
1x Hex Key 4 mm



1x Hex Key 2 mm



4x Silicone glider



4x M6x40mm Bolt



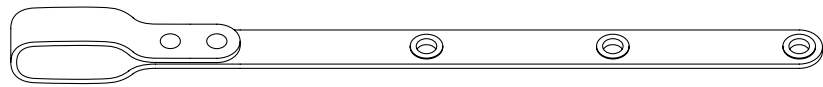
2x Silicone plugs



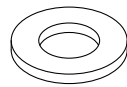
2x M4x3mm Set Screw

Assembly kit

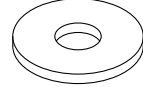
Mounting your screen.



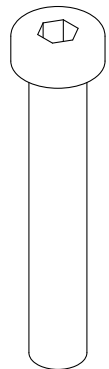
2x Safety Straps



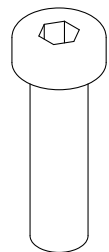
2x M8 Washer



2x M6 Washer



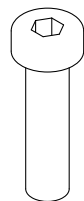
2x M8x50mm Bolt



2x M8x30mm Bolt

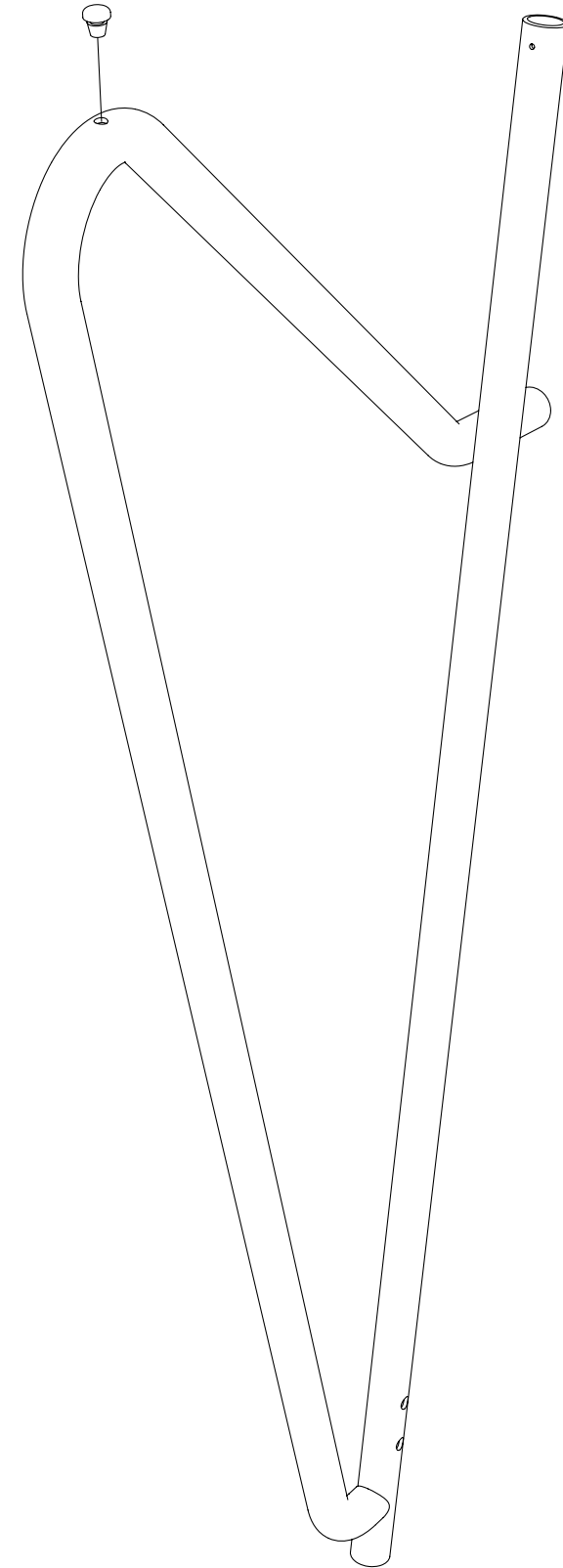


2x M6x50mm Bolt



2x M6x30mm Bolt

1.0 Floor protection



Task

Insert the silicone plugs into the holes on each leg, just like the picture above shows.

Parts

2x Silicone plugs

1.1 Floor protection



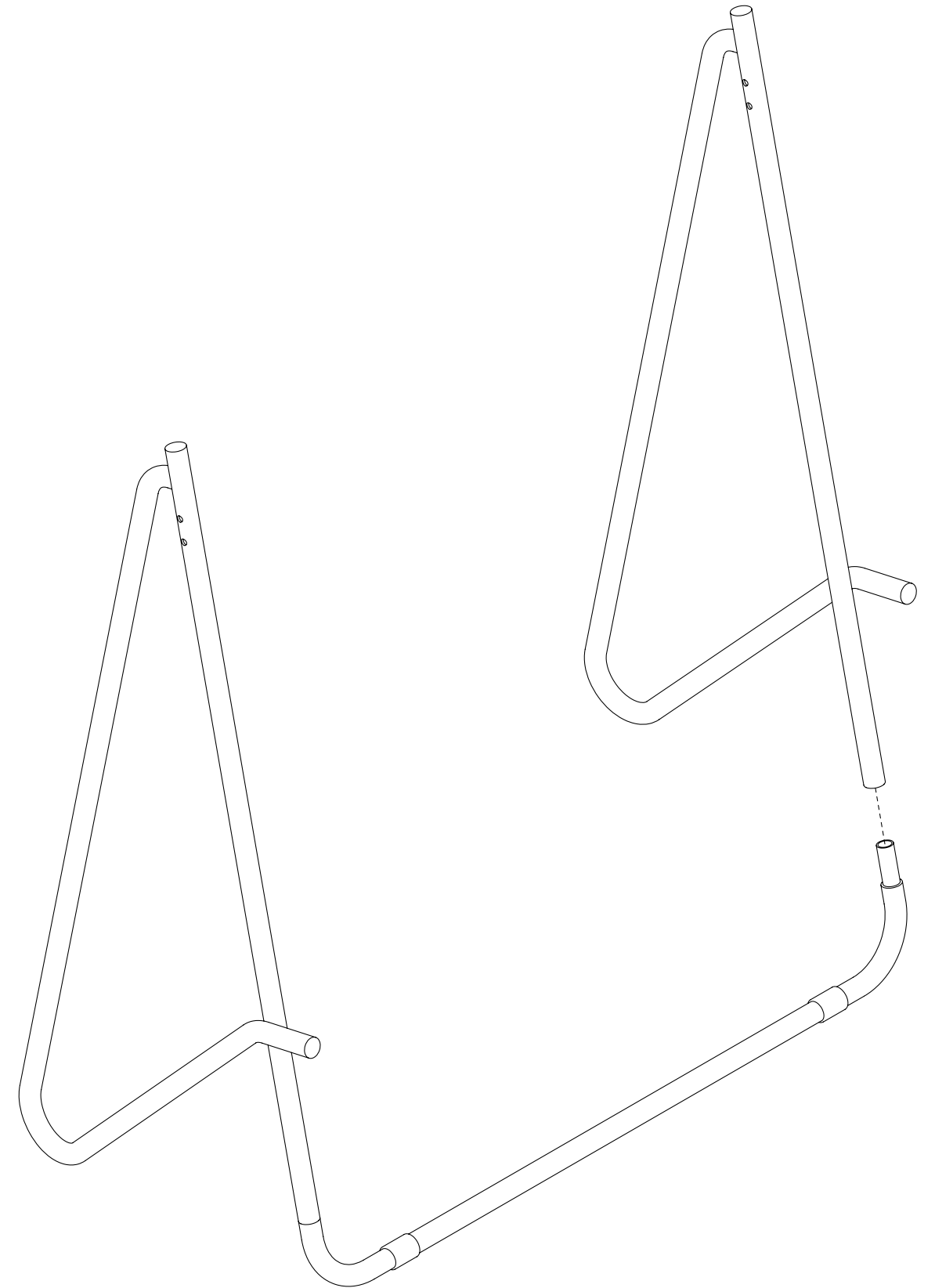
Task

Slide two silicone gliders onto the bottom tube, and save the other two for later.

Parts

2x Silicone gliders

2.0 Legs



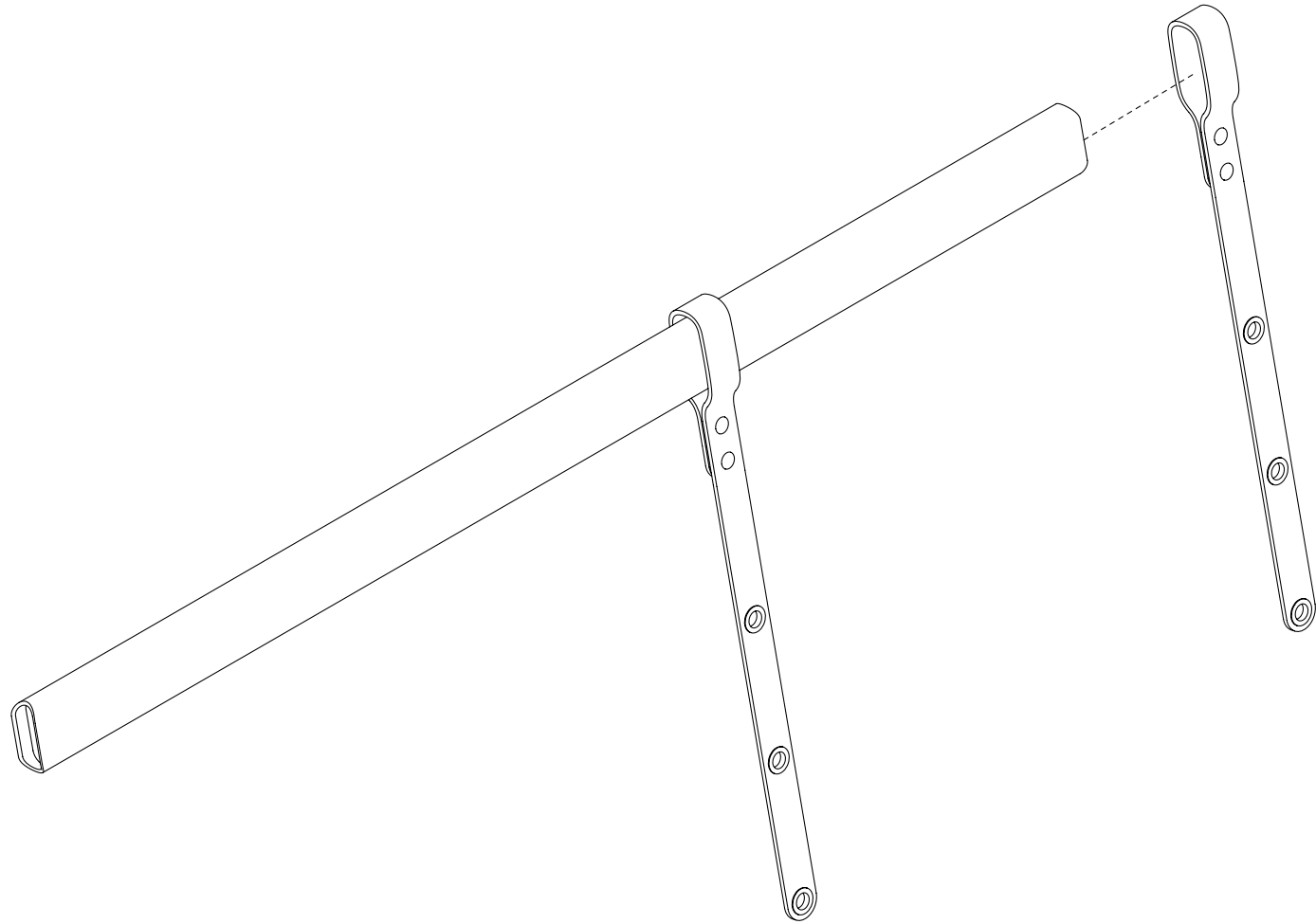
Task

Now, slide the bottom tube into the legs according to the illustration above. Take a moment to ensure you've got the orientation right.

Warning

The stand isn't stable yet, so either set it down somewhere secure or recruit a helping hand to hold it steady. Safety first!

3.0 Crossbar preparation



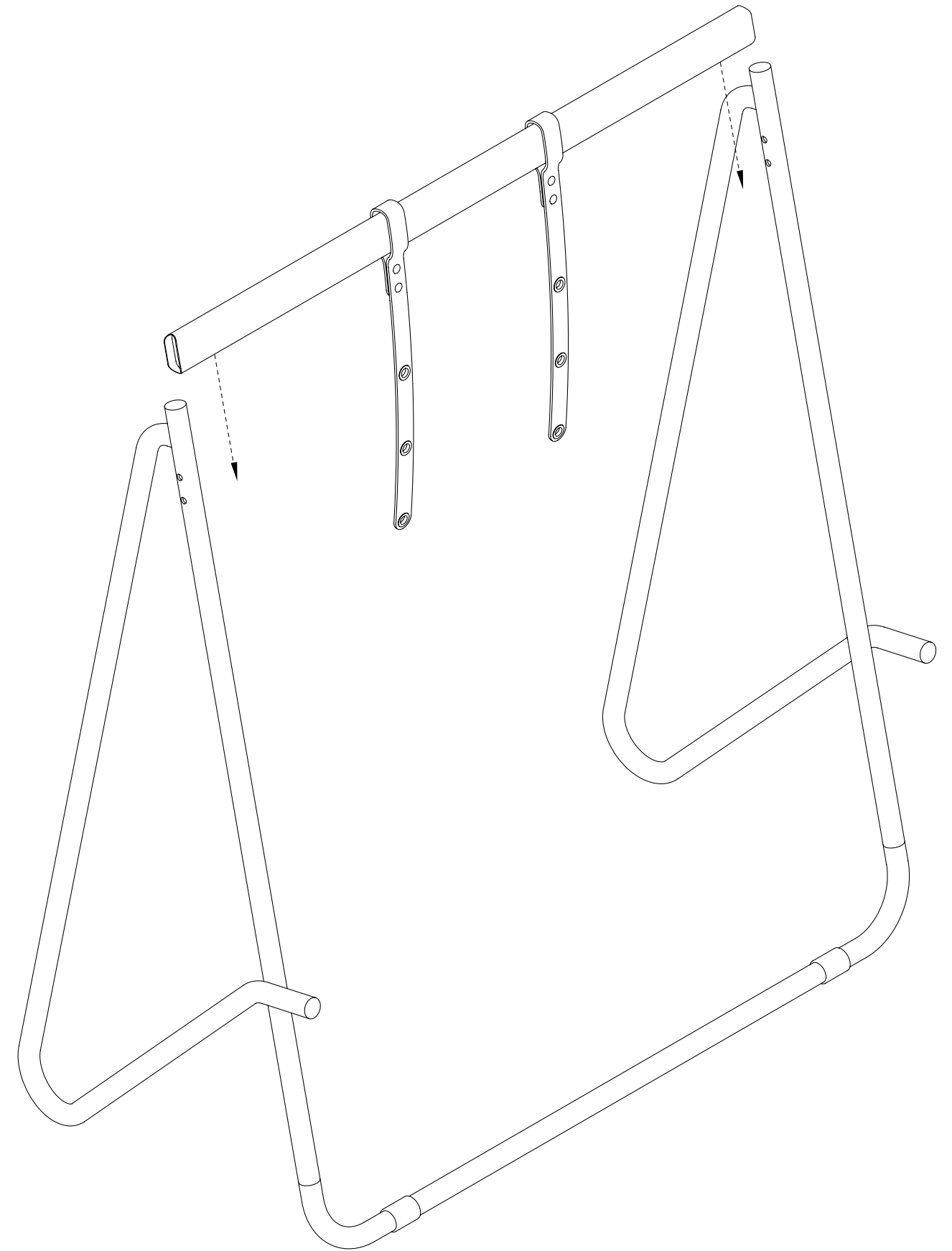
Task

Slide those safety straps onto the crossbar.
We're all about keeping things secure!

Parts

2× Safety straps

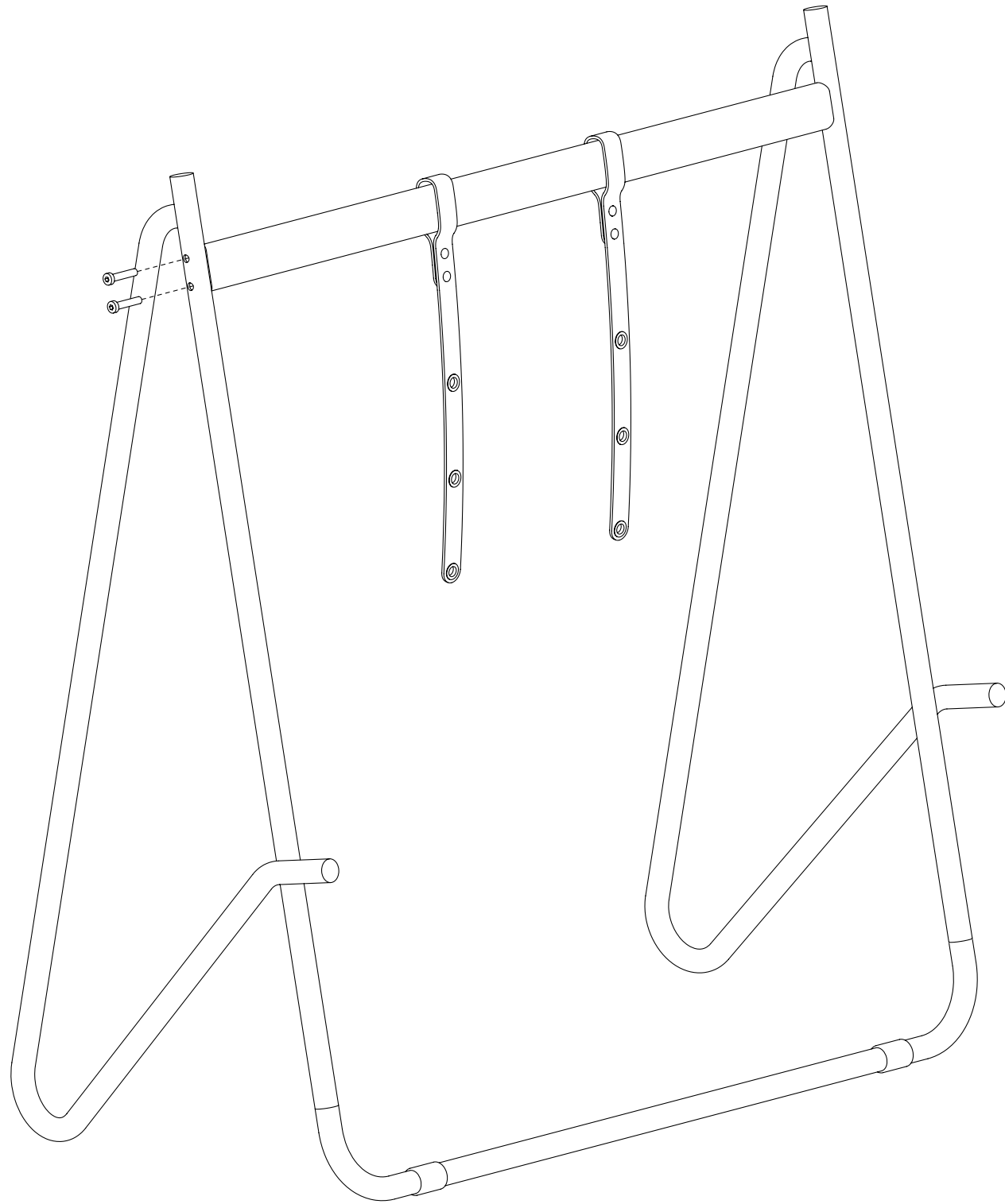
3.1 Crossbar mounting



Task

Carefully slide the crossbar into position.
The holes should align with the threaded holes in the crossbar.

3.2 Crossbar mounting



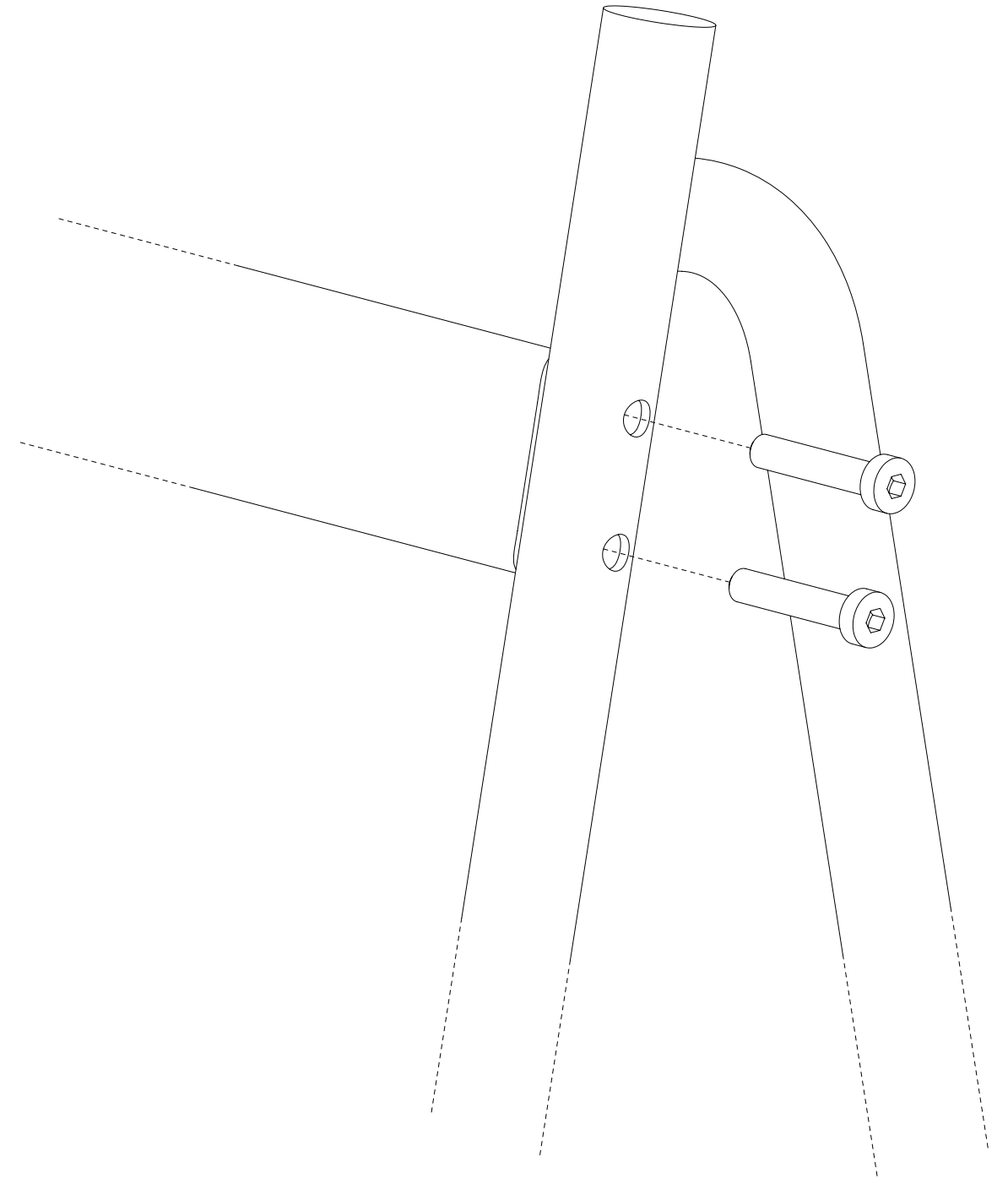
Task

Using your fingers, loosely screw in the bolts to secure the crossbar.
We'll tighten everything up soon – so no need to break out the tools just yet!

Parts

2× M6x40mm bolts

3.3 Crossbar mounting



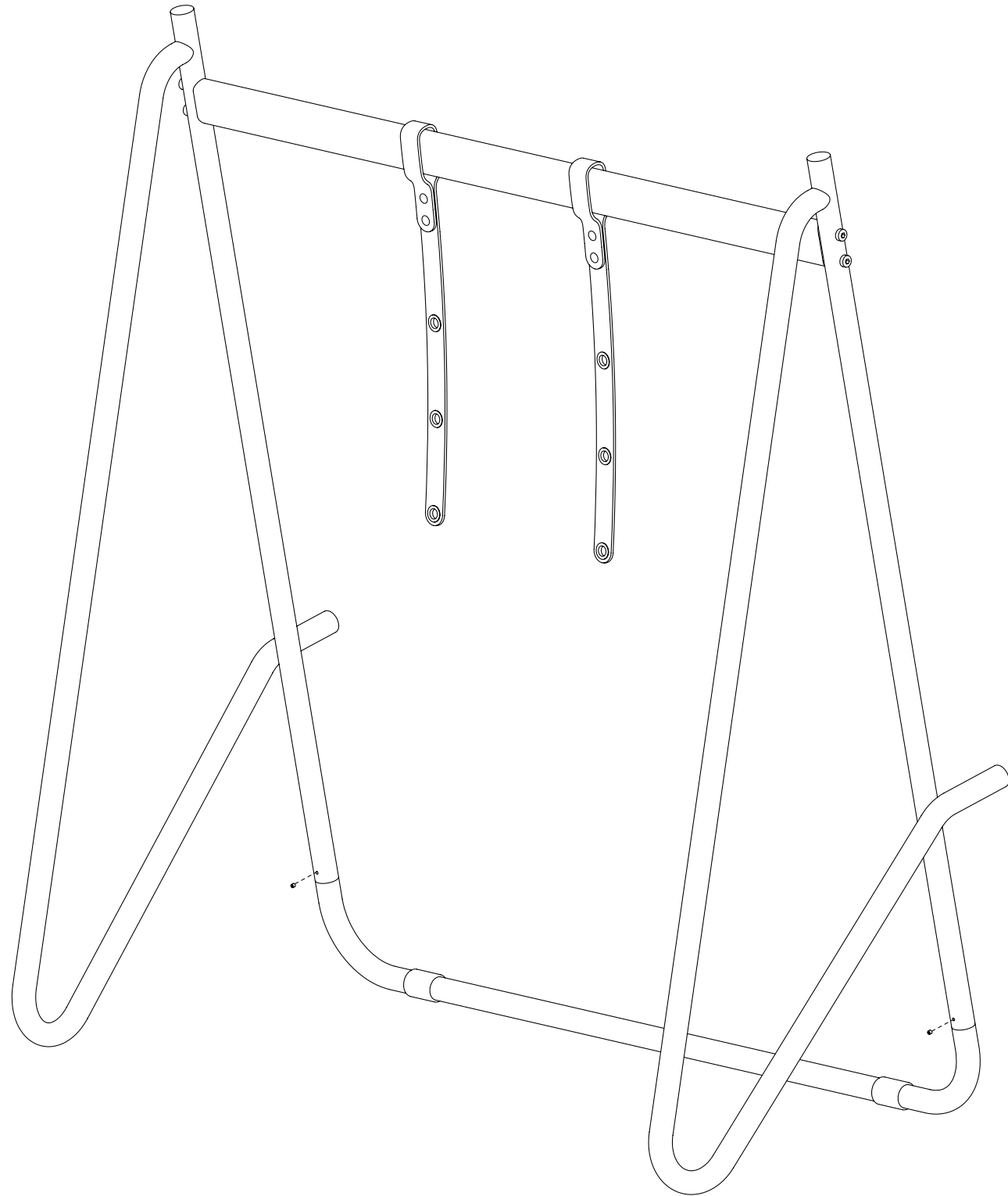
Task

Round two!
Insert those bolts with your fingers, and then let's snugly tighten all the bolts on both sides using the hex key. Remember, we're aiming for snug – no need to go overboard with the tightening.

Parts

2× M6x40mm bolts
1× Hex Key 4 mm

4.0 Fastening bottom tube



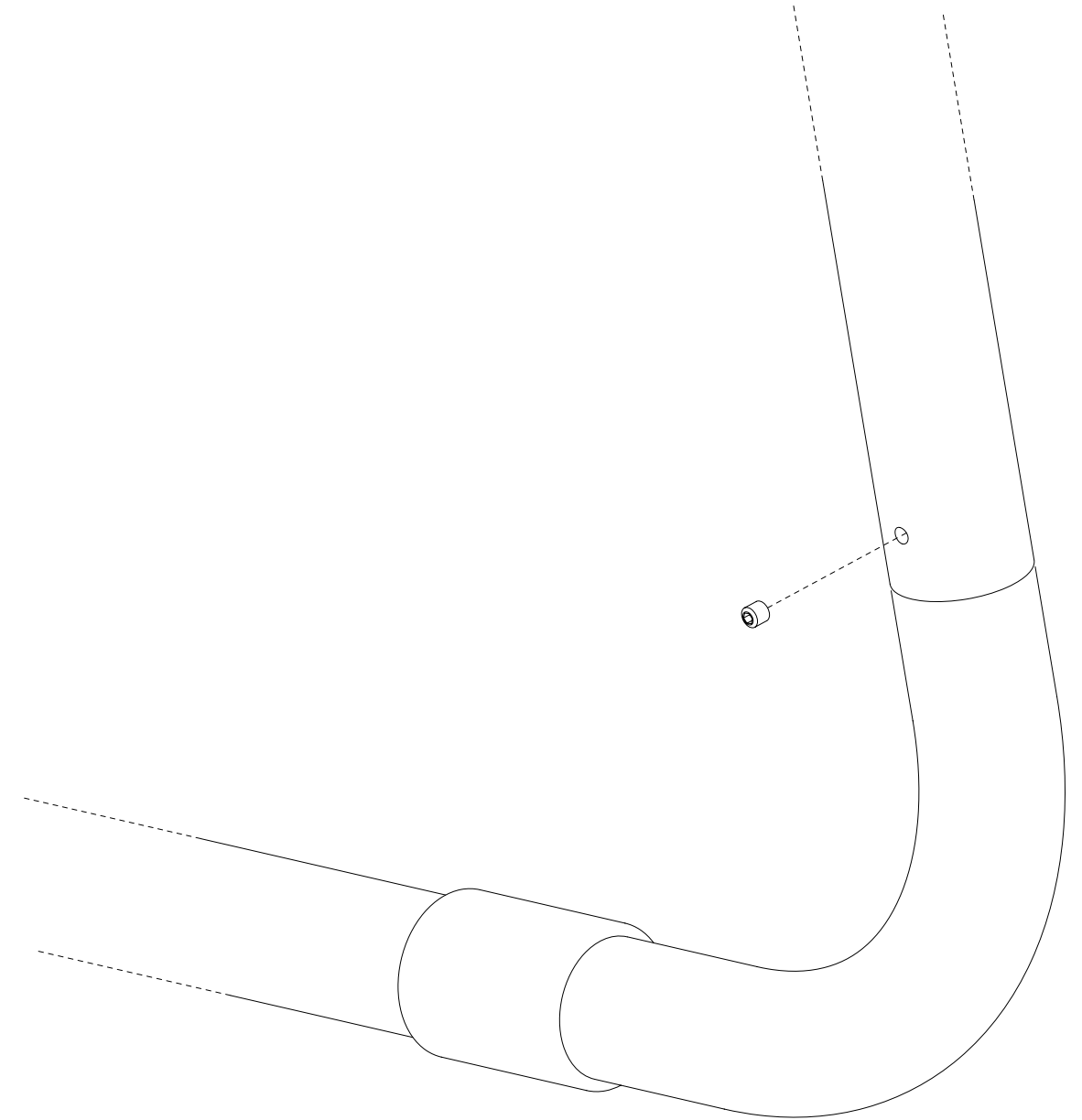
Task

Screw in the small set screw, but keep your cool!
This step calls for a steady hand and a touch of precision.

Parts

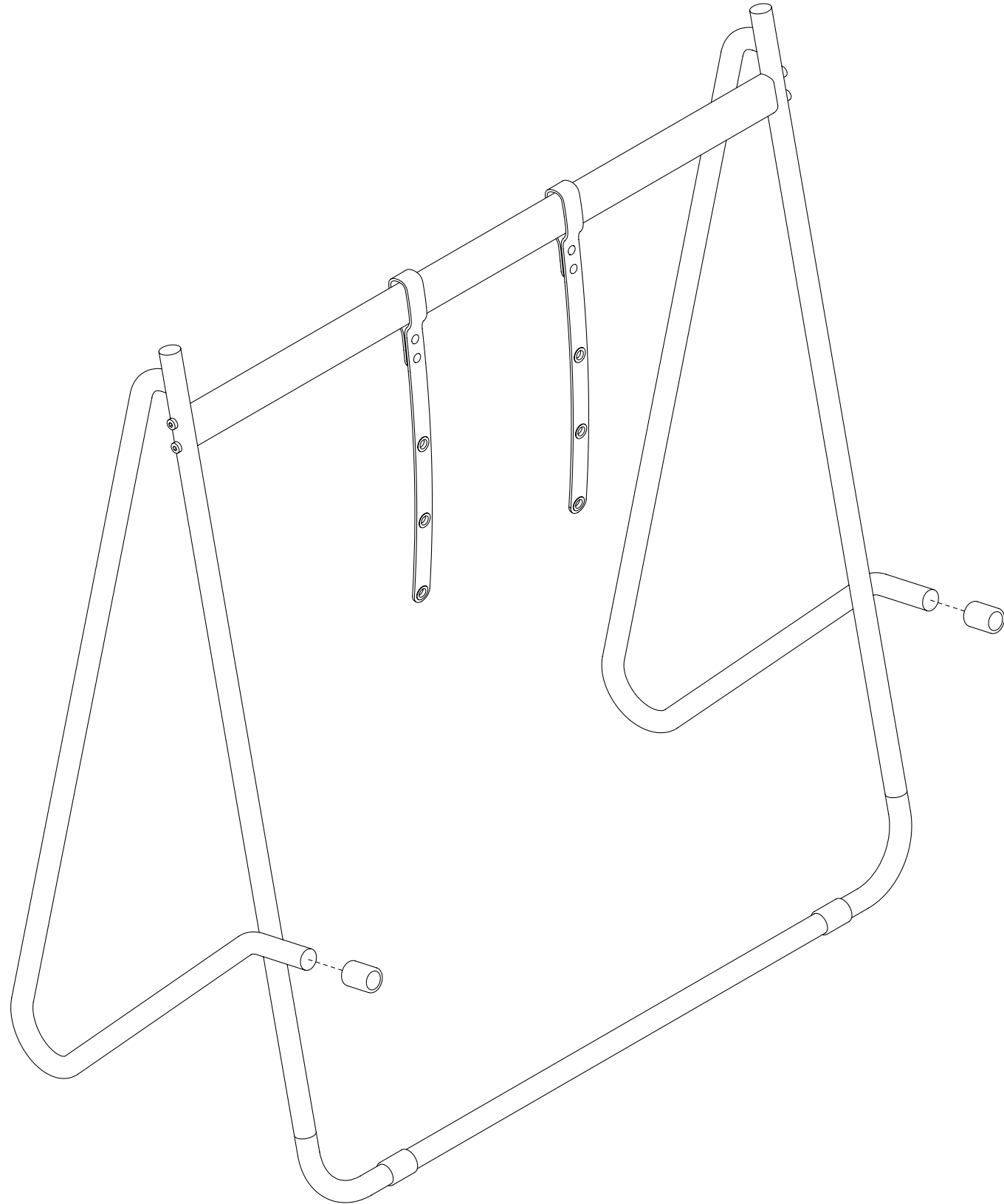
2× M4x3mm Set Screw
1× Hex Key 2 mm

4.1 Fastening detail



Detailed view of step 4.0.

5.0 Screen protection



Task

Slide the last two silicone gliders onto the stand.
You're almost there!

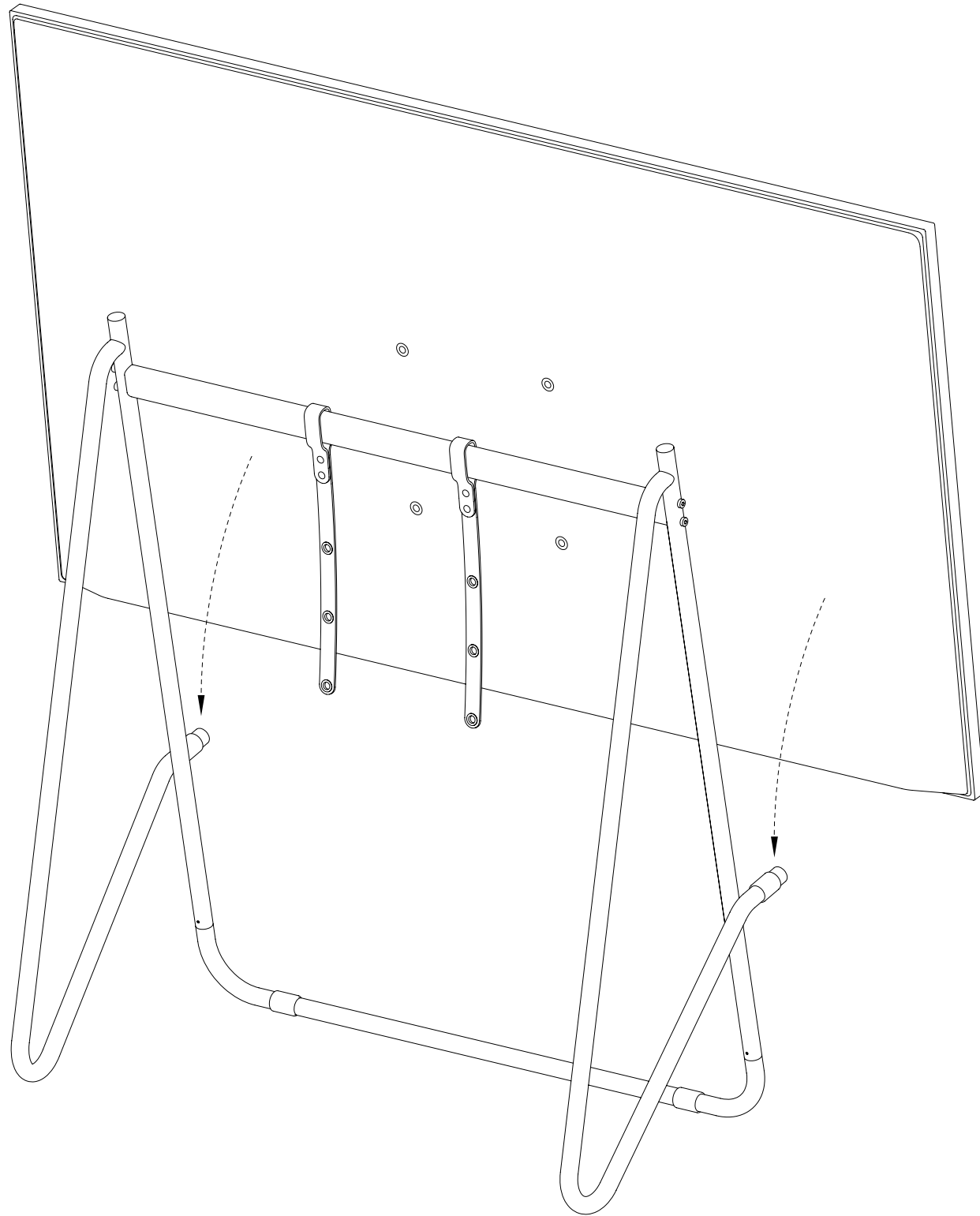
Parts

2× Silicone gliders

Well done!

We're ready to mount your screen!

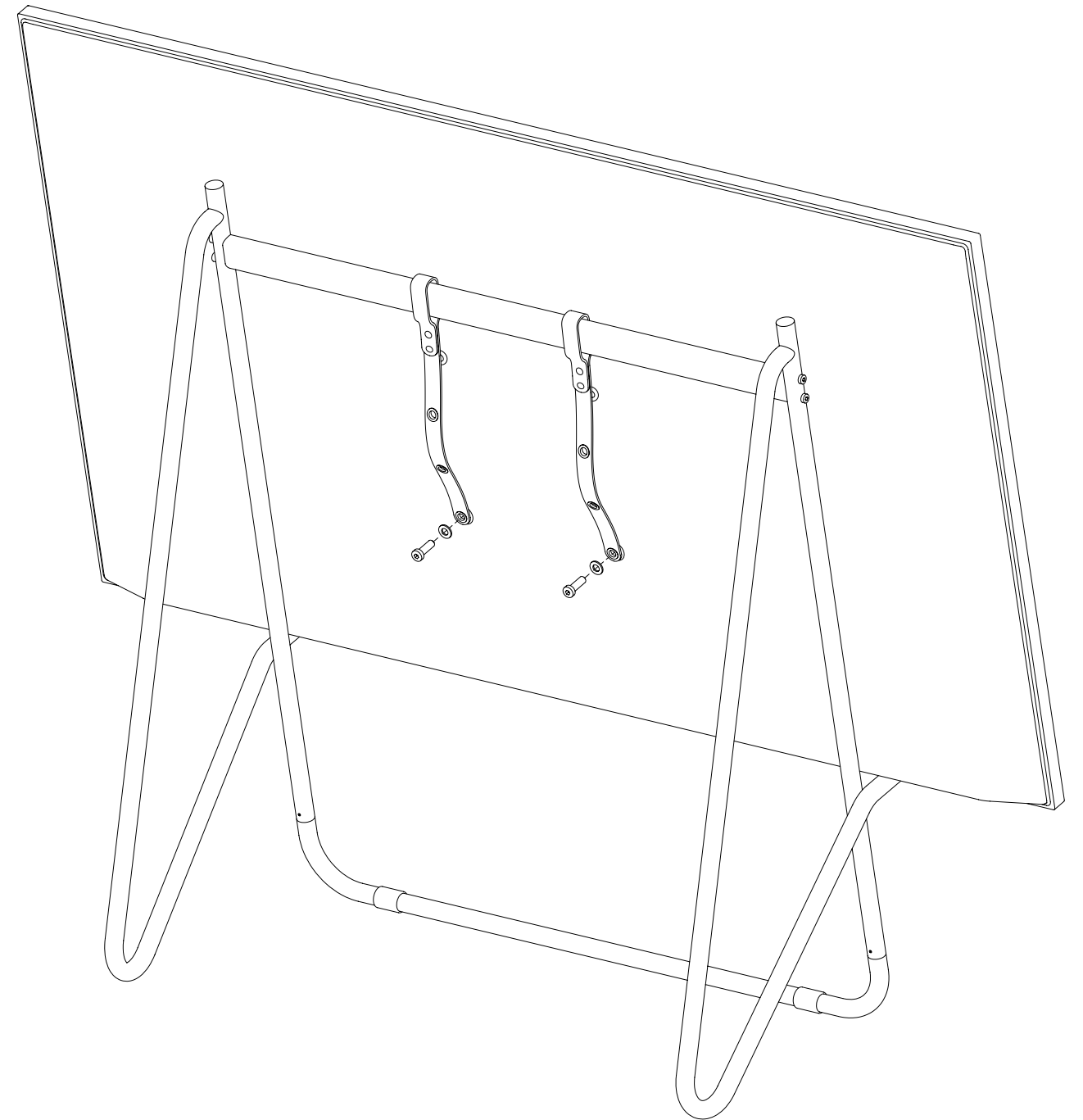
6.0 Mount Screen



Task

Carefully place your screen onto the stand.

6.1 Mount Screen



Don't panic!

You won't be using all the bolts and washers in the bag. The variety is there to accommodate different screens.

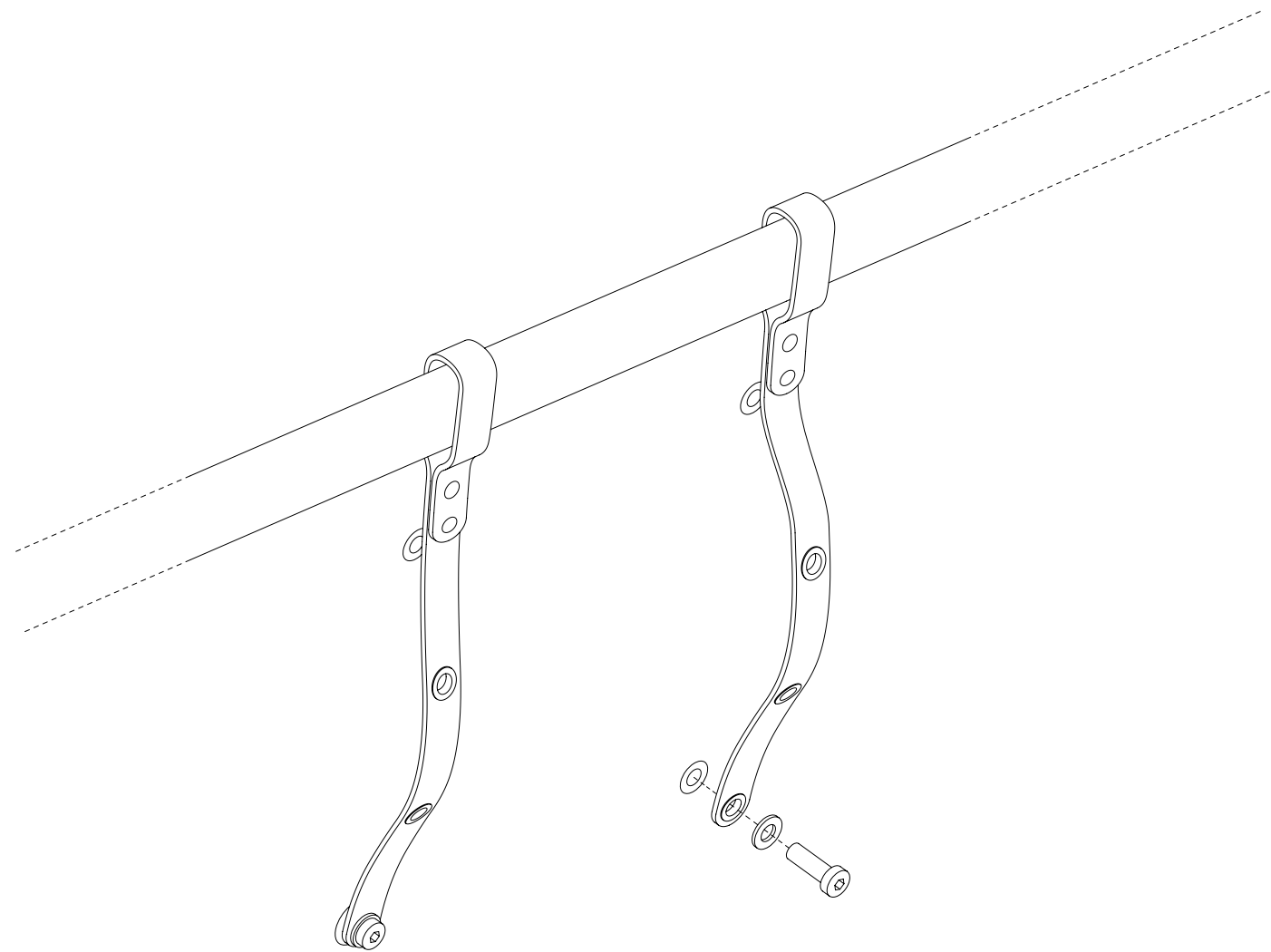
To ensure a perfect fit, identify the correct size bolts and washers. Then, thread the bolt through the washer, followed by the safety strap, and into the VESA holes on the screen. See next page for detailed view.

Take care not to overtighten to avoid damaging the screen.

If the bolt doesn't tighten all the way, don't panic! Your screen will still be secure.

In rare cases where the bolt is too short, you can easily grab a longer one from your local hardware store. Just take one of the provided screws and ask for a longer one in the same size.

6.2 Mount Screen



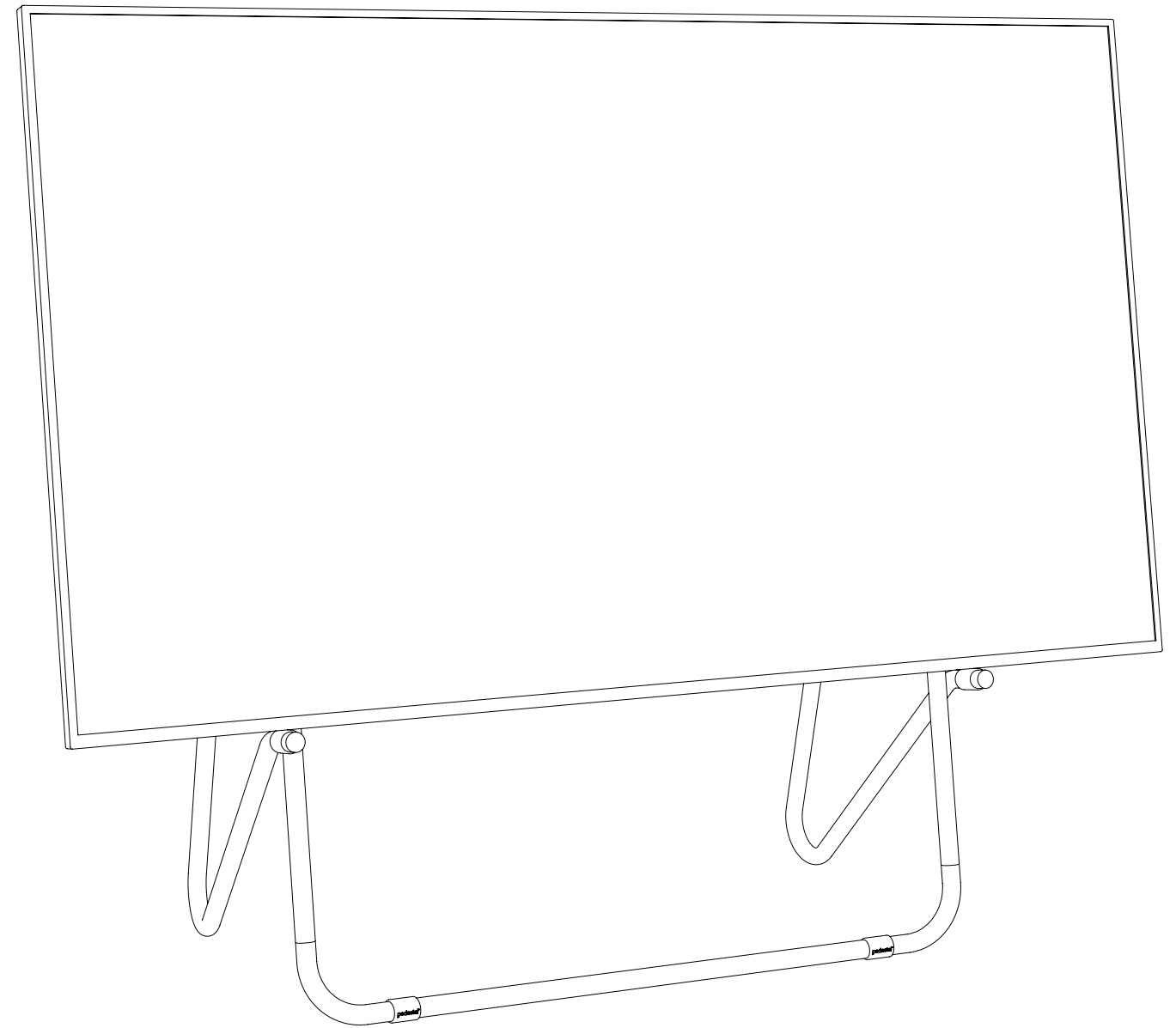
Task

Insert the bolt through the washer, followed by the safety strap, and into the VESA holes on the screen. Remember, do not overtighten!

Parts

- 2× Suitably sized bolts
- 2× Suitably sized washers

All done!



Task

Time to get those wires connected, kick back, and let the binge-watching begin! You've earned it!

