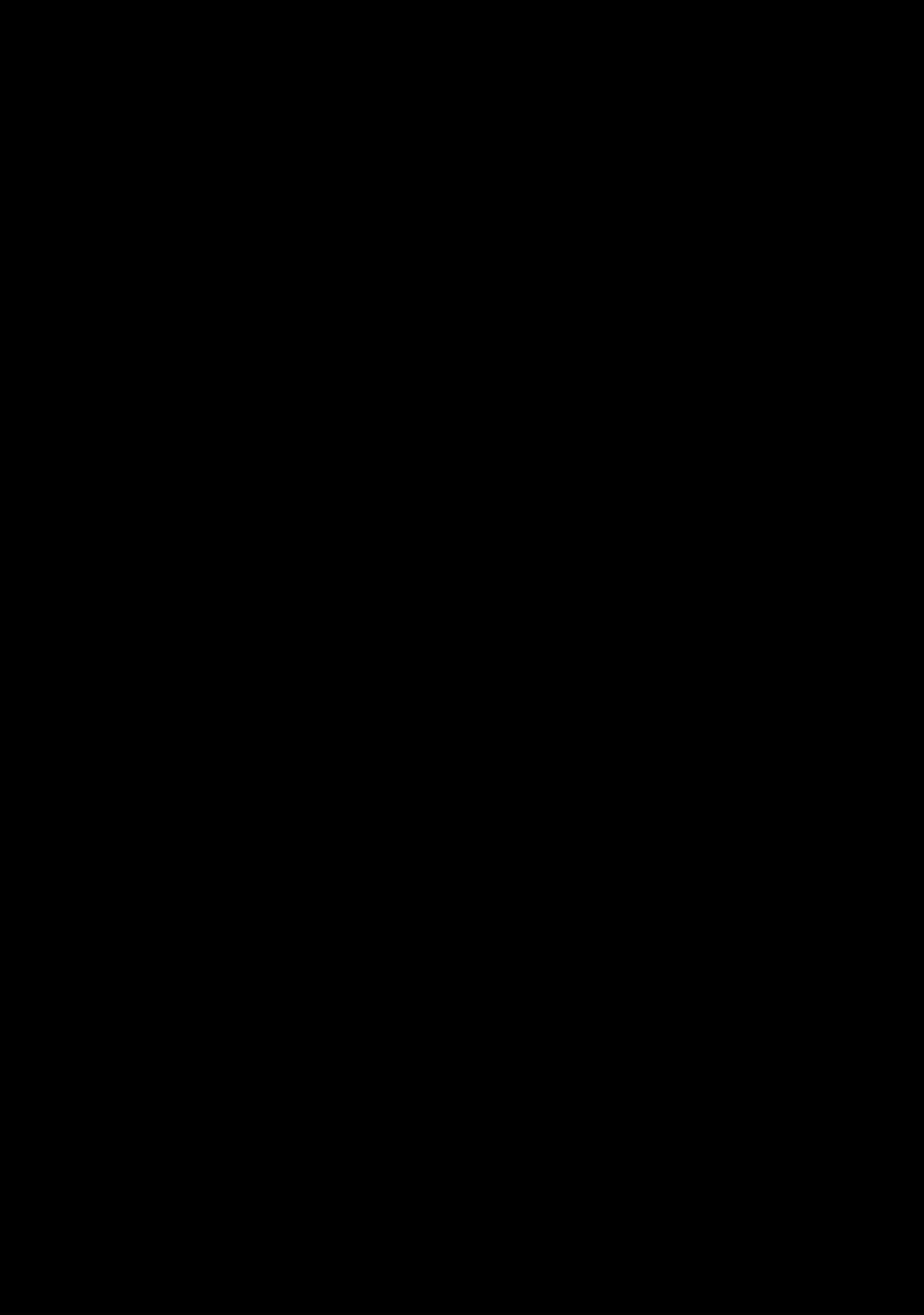


Bendy
Low/Tall

Assembly
Guide

pedestal®



Bendy Low/Tall

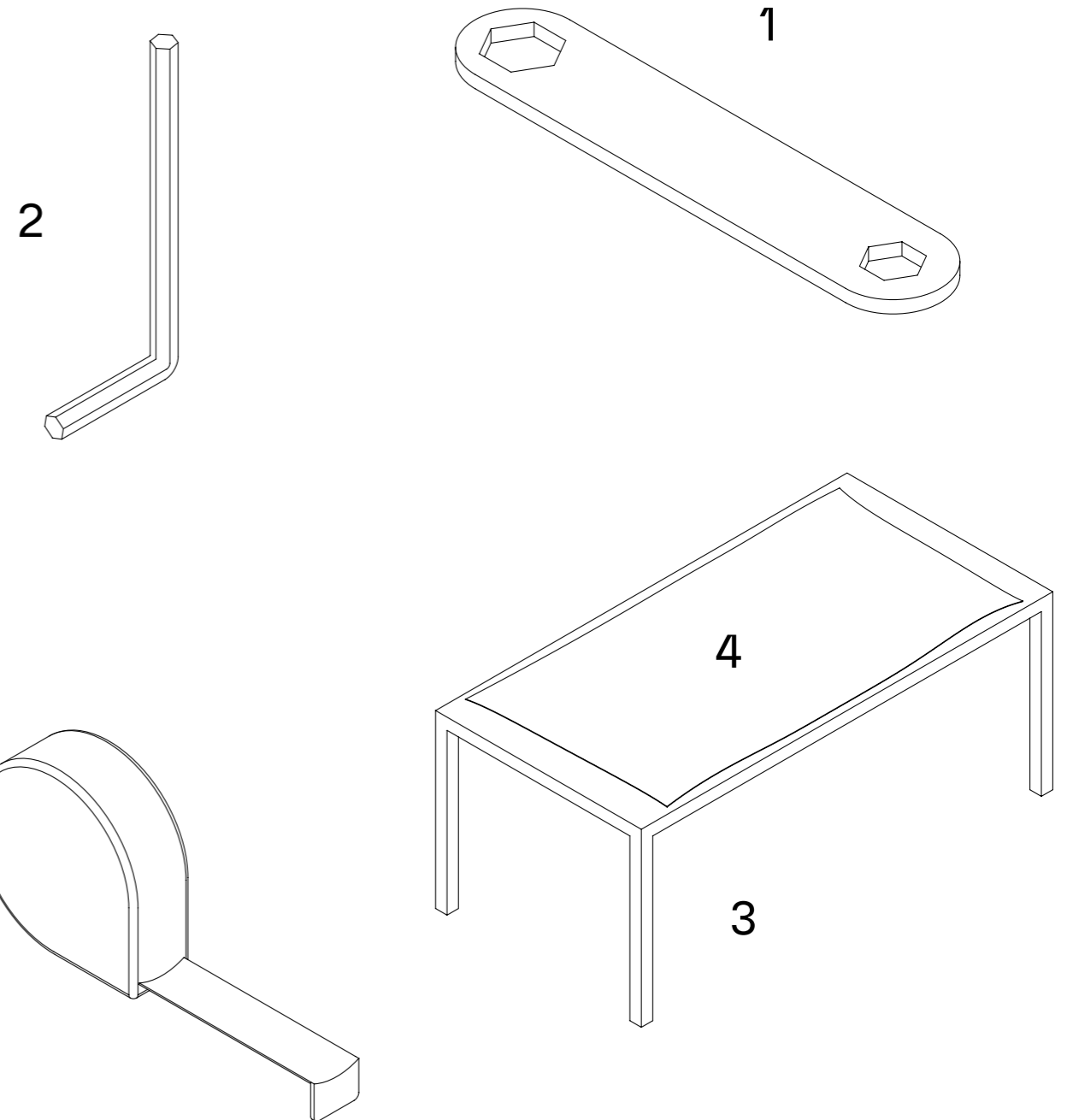
Congrats on your new Pedestal product, and welcome to the world of Pedestal. You have entered a colorful world of design items made for you to elevate your interior design.

Deeply rooted in the Scandinavian design tradition, our products reflect our commitment to quality, functionality and simplicity.

Let's go on a colorful journey together - where form follows function playfully!

/Pedestal

Tools



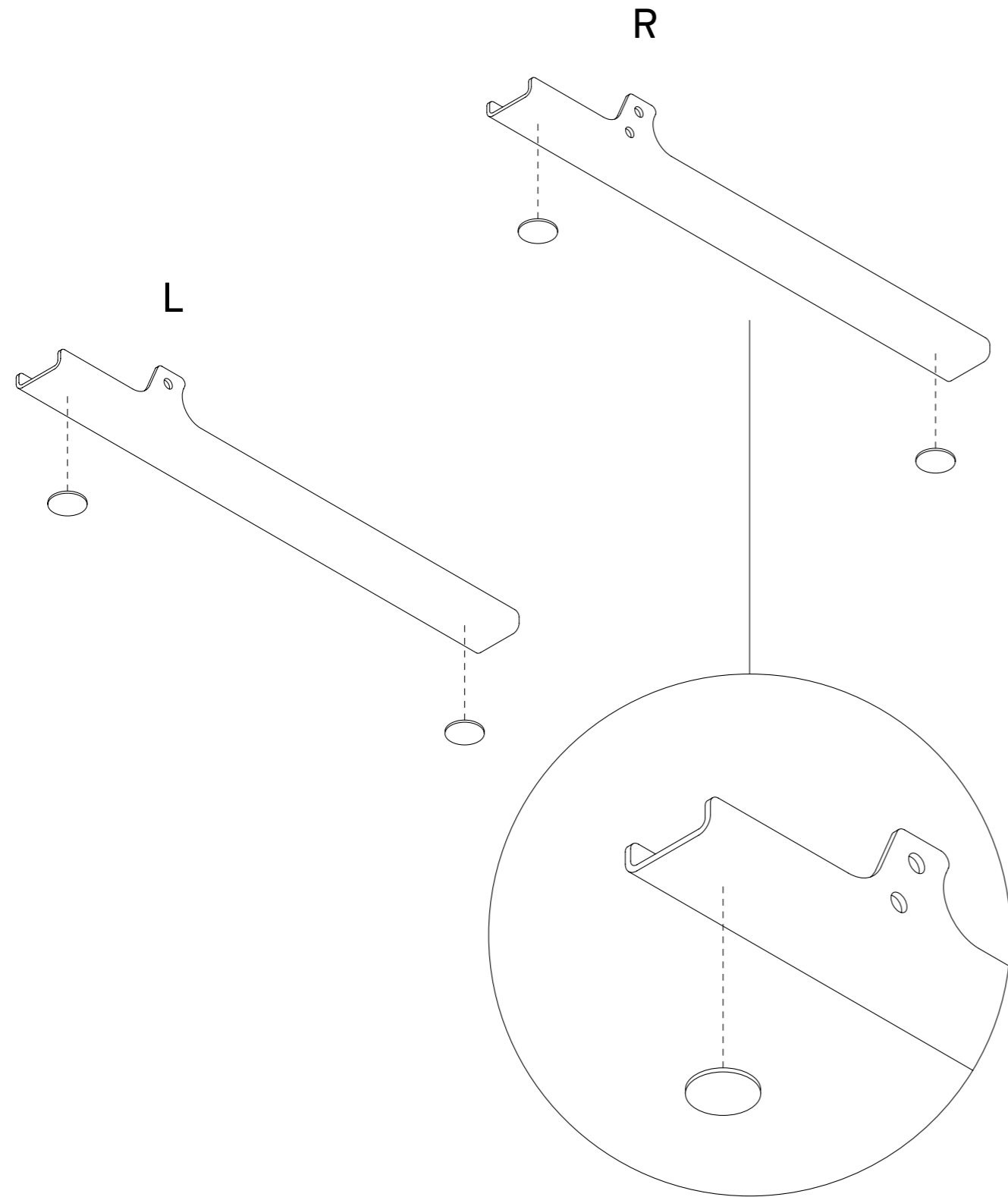
You will need the tools listed below:

- 1: Wrench (Provided in the hardware bag)
- 2: Hex key (Provided in the hardware bag)
- 3: Table
- 4: Soft cloth or blanket
- 5: Tape measure or ruler
- 6: Assisting friend



Use the QR code or type in the URL to access our guides.
www.pedestal.com/pages/manuals

1.0 Floor protection

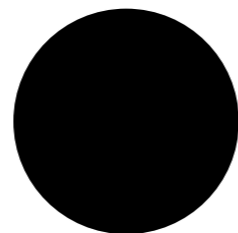


Task

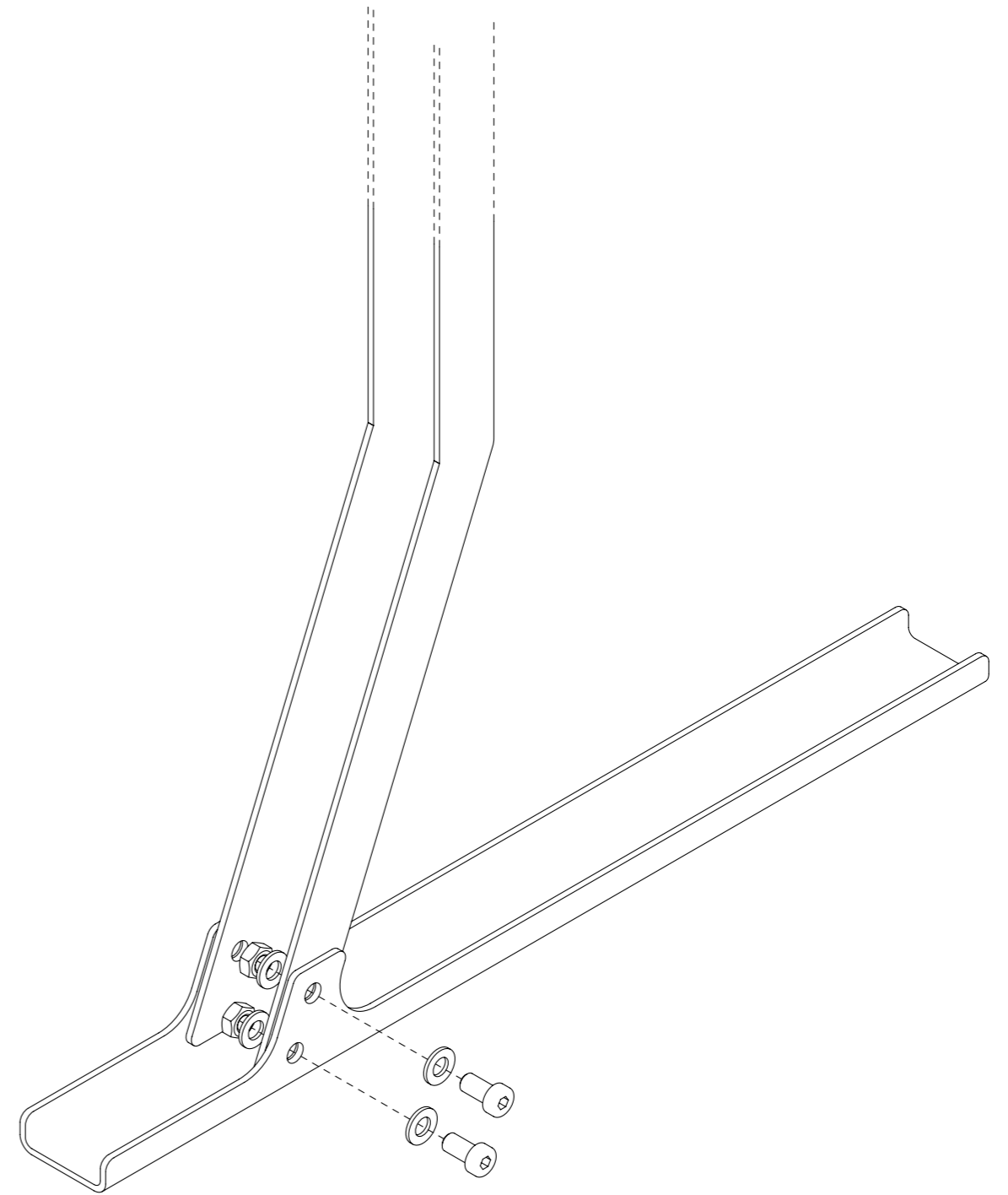
Place the adhesive rubber dots onto the bottom of the feet.
Two on each foot.

Parts

4 × Rubber dots



2.0 Right side



Task

Mount the right leg to the right foot. Start by loosely fitting bolts, washers and nuts on the side with four aligning holes, as shown.

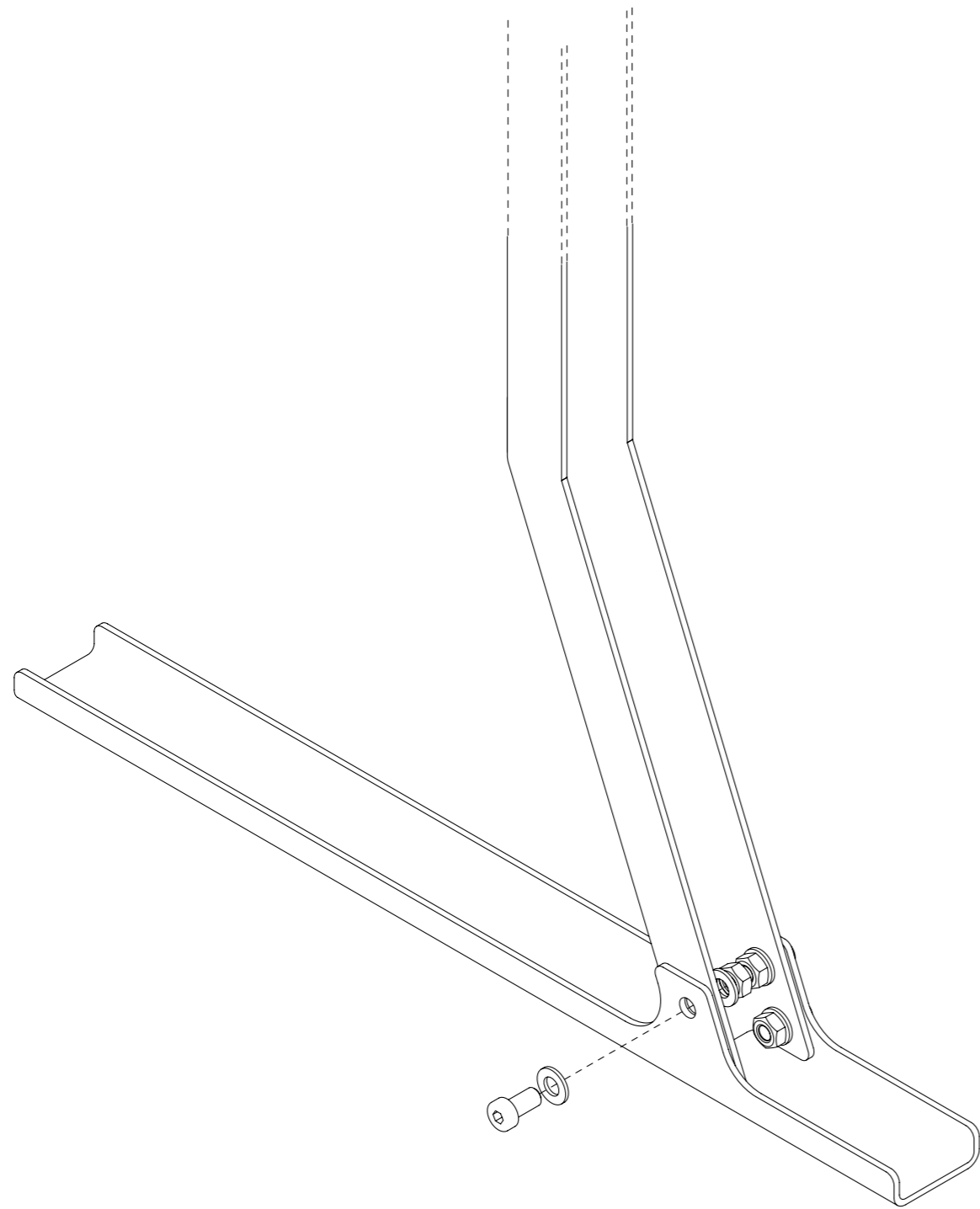
Advice: See step 2.2 for a detailed view.

Parts

2 × M8 x 16 mm bolts
4 × M8 washers
2 × M8 nuts



2.1 Right side



Task

Now fit the last set of bolt, washers and nut into the remaining two aligning holes. Finally tighten all three connections.

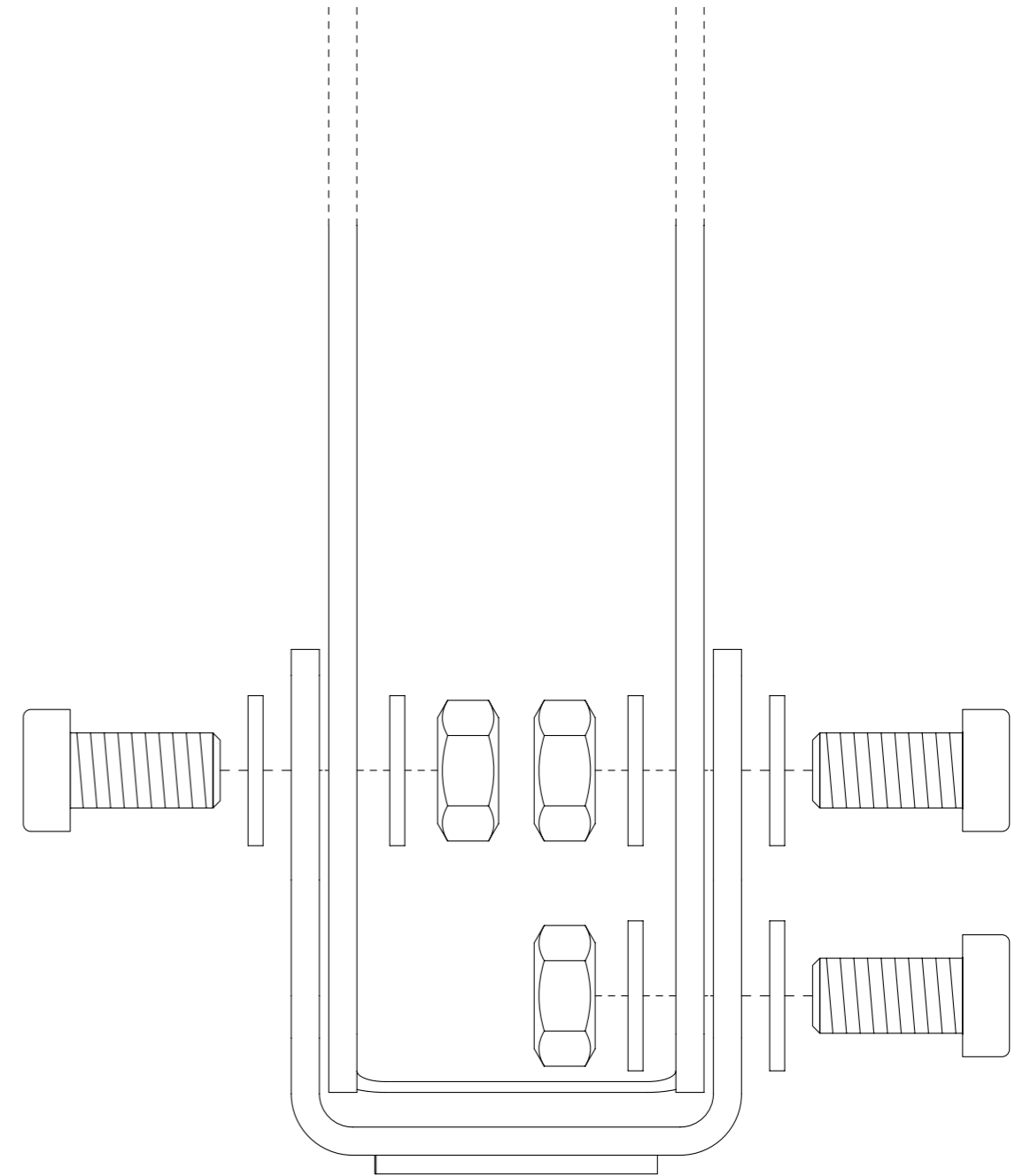
In doubt? See step 2.2 for a detailed view

Parts

- 1 × M8 x 16 mm bolt
- 2 × M8 washers
- 1 × M8 nut



2.2 Right side detail



Task

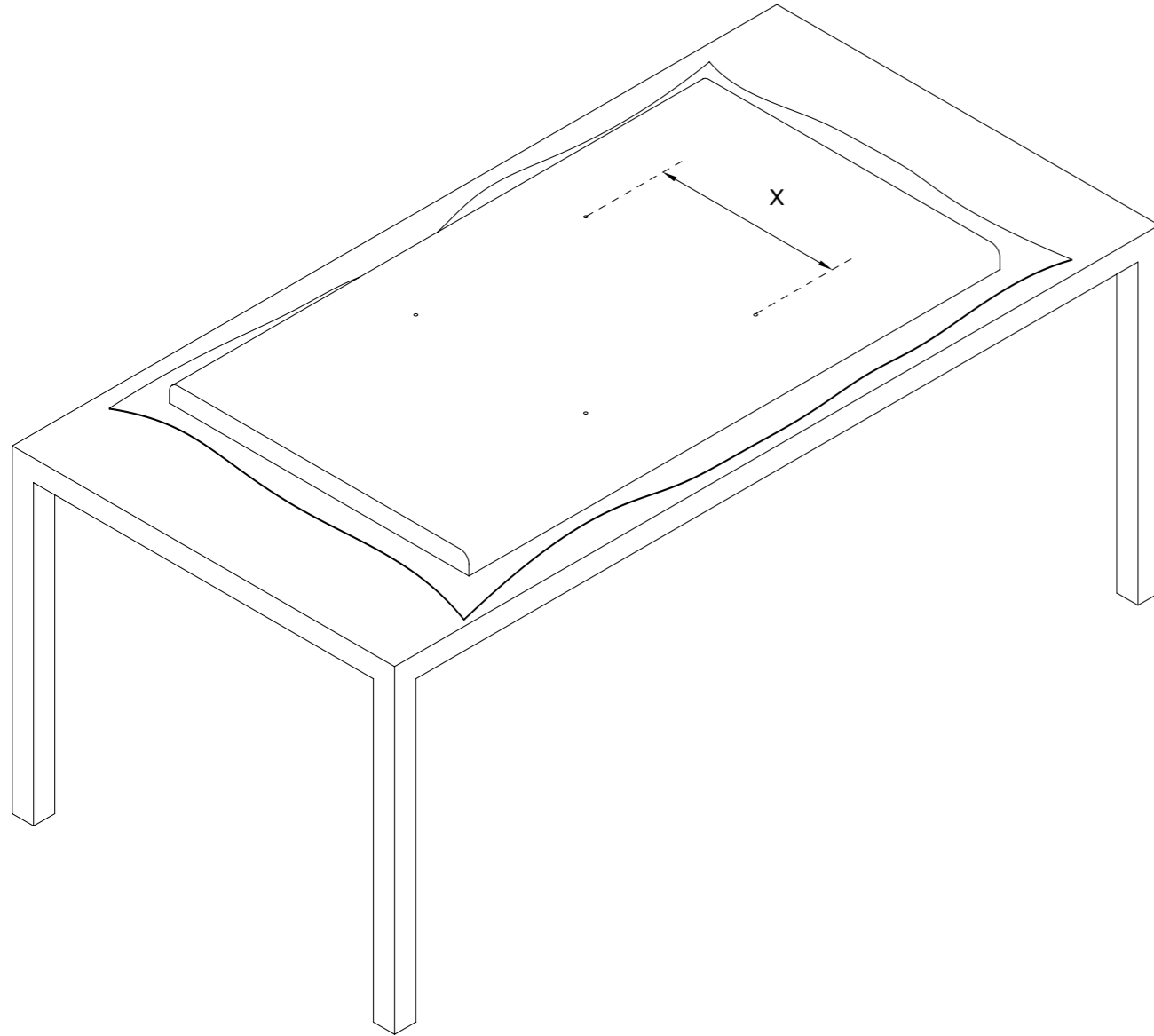
Detailed view of step 2.0 and 2.1

3.0 Left side

Same as the right side

So far, so good

4.0 Measure screen



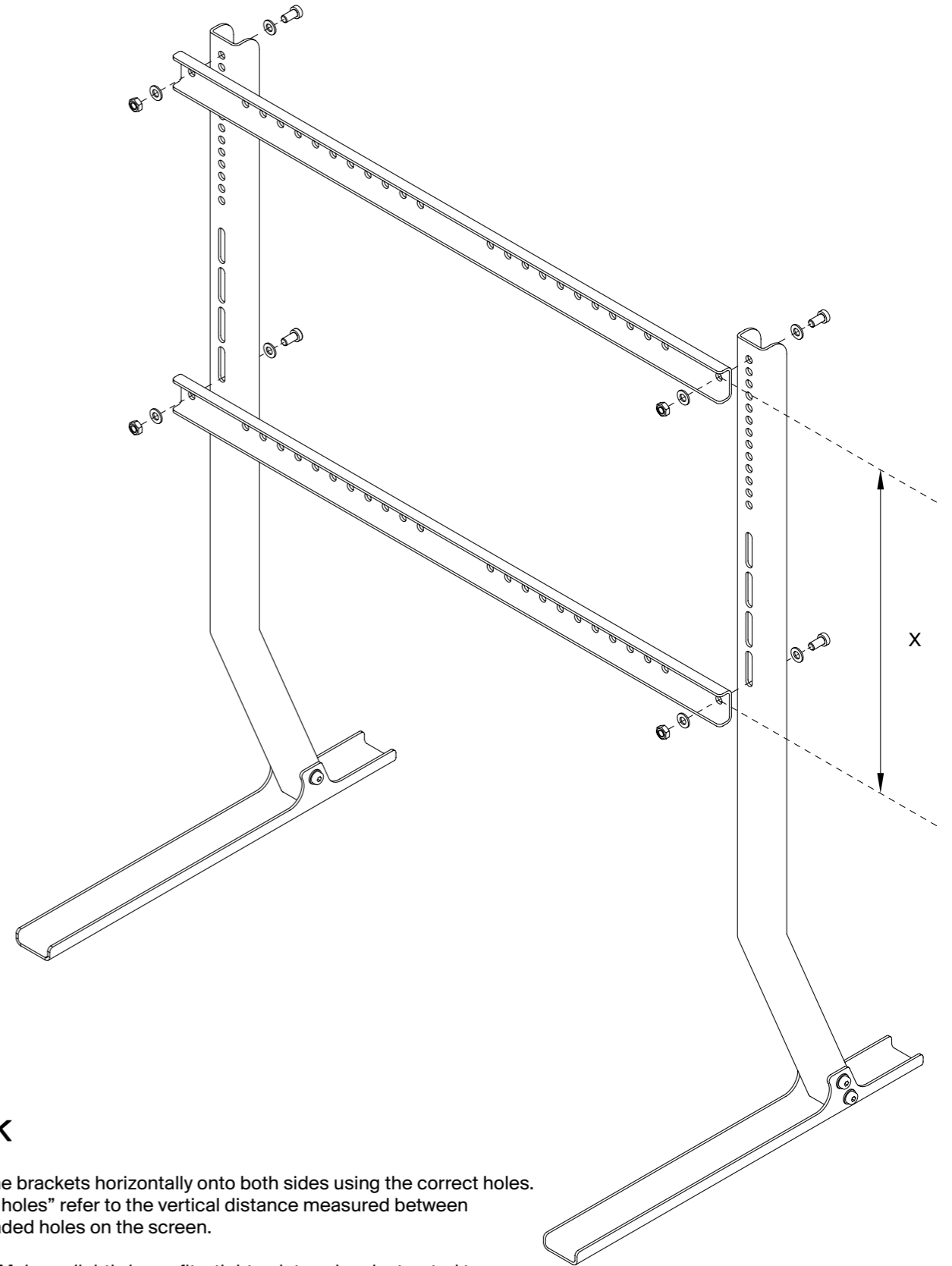
Task

Place your screen facing backside up on a tabletop with a soft cloth or blanket between the two in order to protect both.

Parts

- 1 × Table
- 1 × Soft cloth or blanket
- 1 × Tape measure or ruler

5.0 Mount brackets



Task

Mount the brackets horizontally onto both sides using the correct holes. "Correct holes" refer to the vertical distance measured between the threaded holes on the screen.

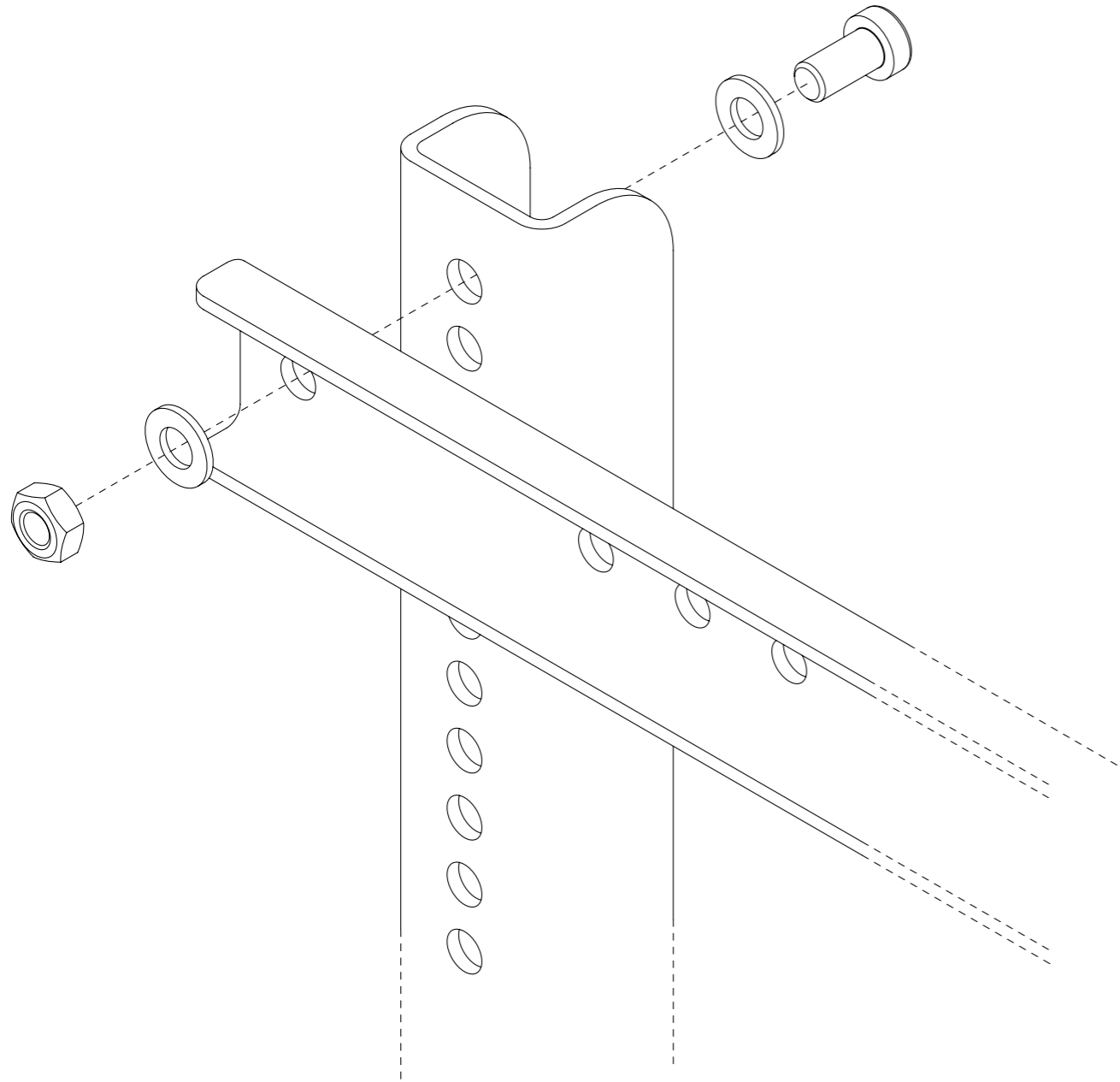
Advice: Make a slightly loose fit – tighten later when instructed to. See step 5.1 for a detailed view.

Parts

- 4 × M8 x 16 mm bolts
- 8 × M8 washers
- 4 × M8 nuts



5.1 Mount brackets detail



You're doing great!

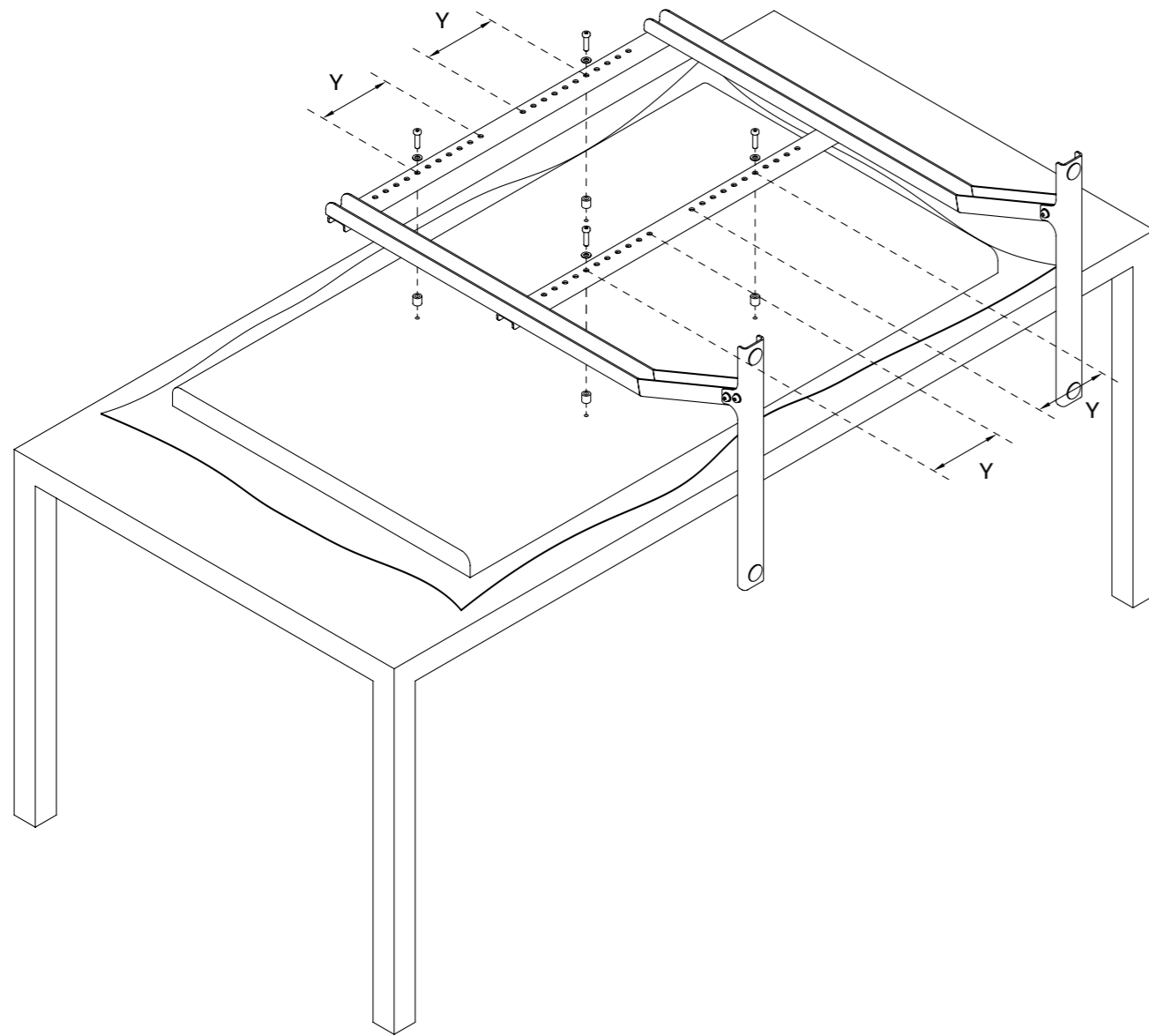
Once the screen is mounted,
your stand will be as steady
as a rock.

Keep up the good work!

Task

Detailed view of step 5.0.

6.0 Mount stand



Task

While still lying on the table, connect the assembled stand to your screen.
Make sure you place the stand horizontally centered, as shown.
For a correct fit, see step 6.1.

Parts

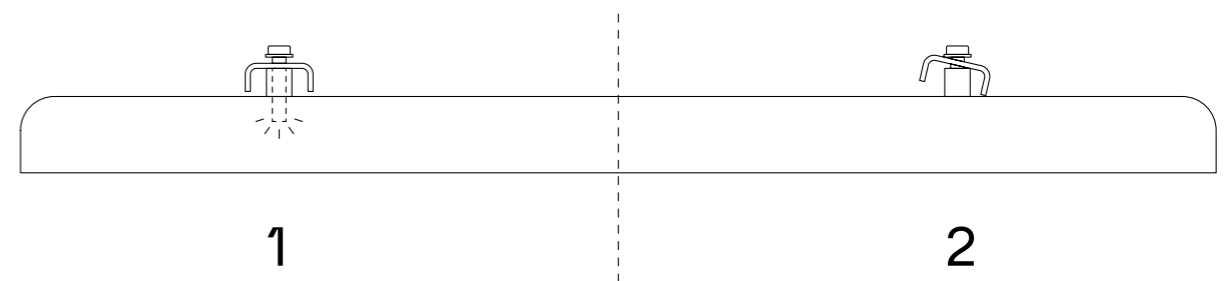
4 × Suitably sized bolts
4 × M6/M8 washers
At least 4 × Suitably sized spacers

6.1 Stand fitting

Correct fit



Incorrect fit



Do not panic!

You will not need all of the remaining hardware.
The large selection of remaining hardware is to
accommodate as many different screens as possible.

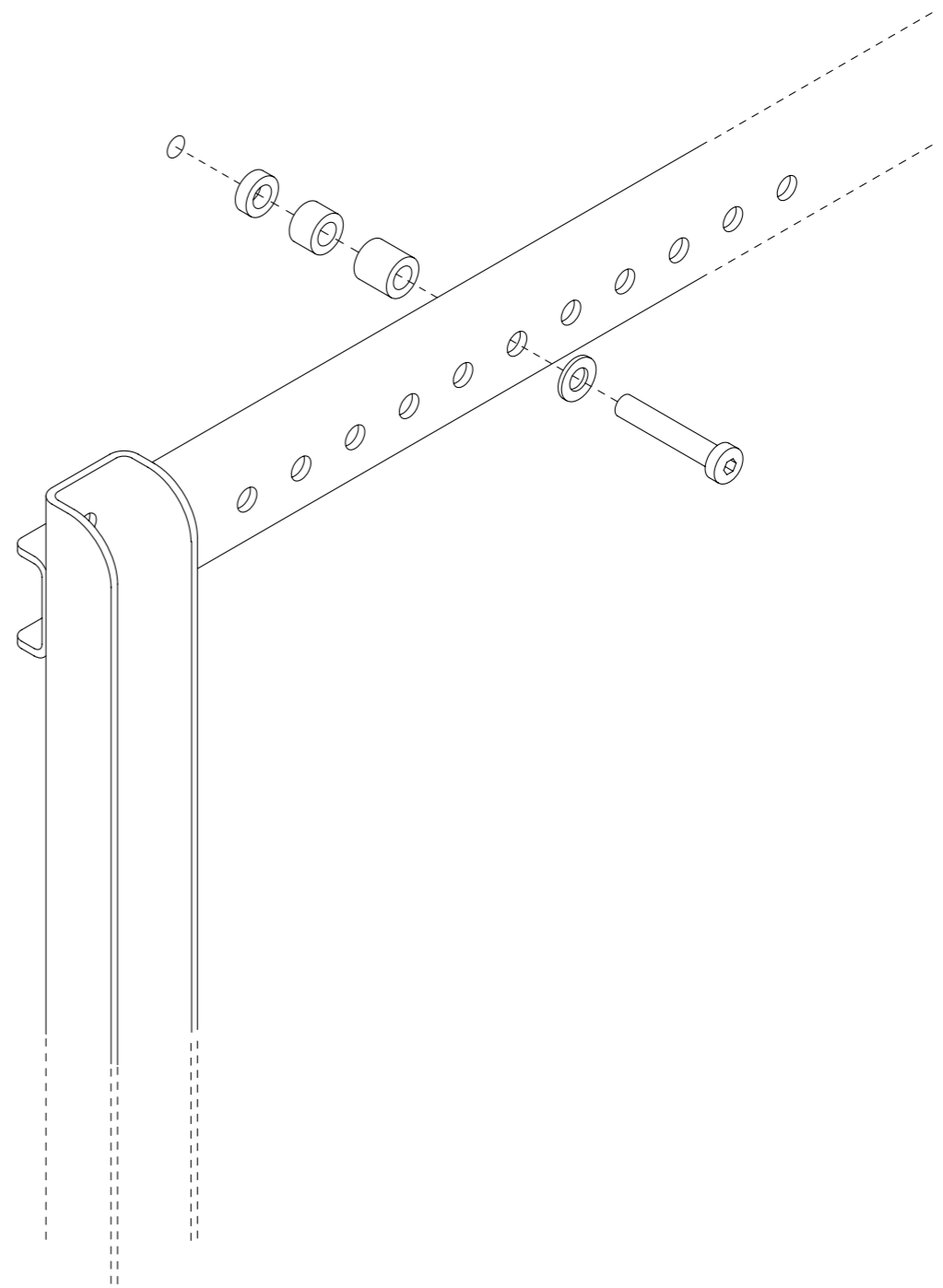
For a correct fit you will have to identify the right combination
of provided spacers, washers and bolts.

Place the spacers between the screen and the brackets
to ensure that the brackets do not touch the screen.

If for instance your screen has a curved backside, you might
have to use more than one layer of spacers.

Now screw the appropriately dimensioned bolts with washers
through the brackets and spacers into the threaded holes on
the backside of the screen. Tighten the bolts until you have a
snug fit. Be sure not to overtighten. The bolts must not reach
the bottom of the threaded holes. Overtightening might cause
damage to your screen.

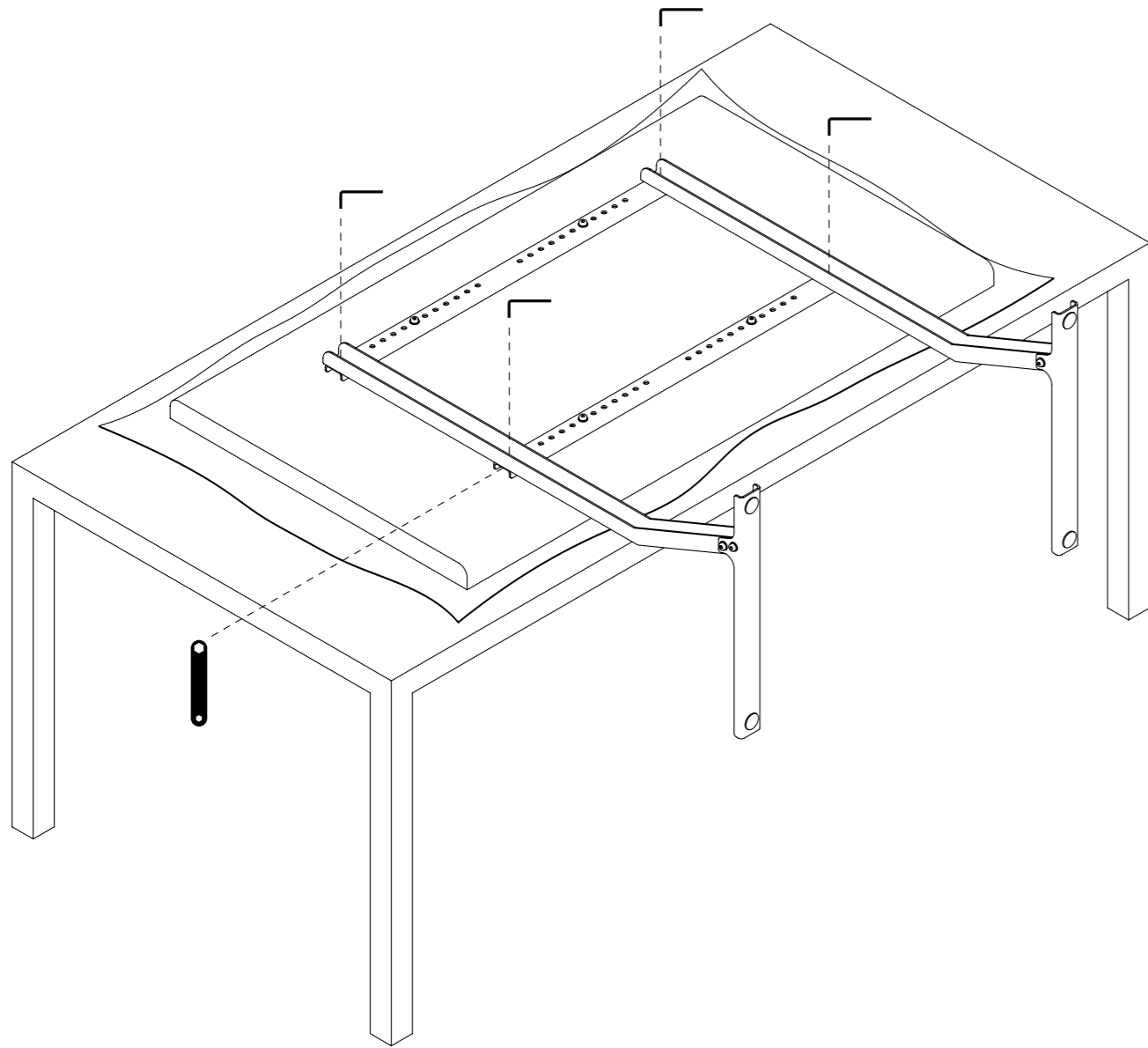
Struggling to find
the ideal spacer?



No problem!

Just stack 'em up, mix and match for the perfect fit!

6.2 Tighten connections



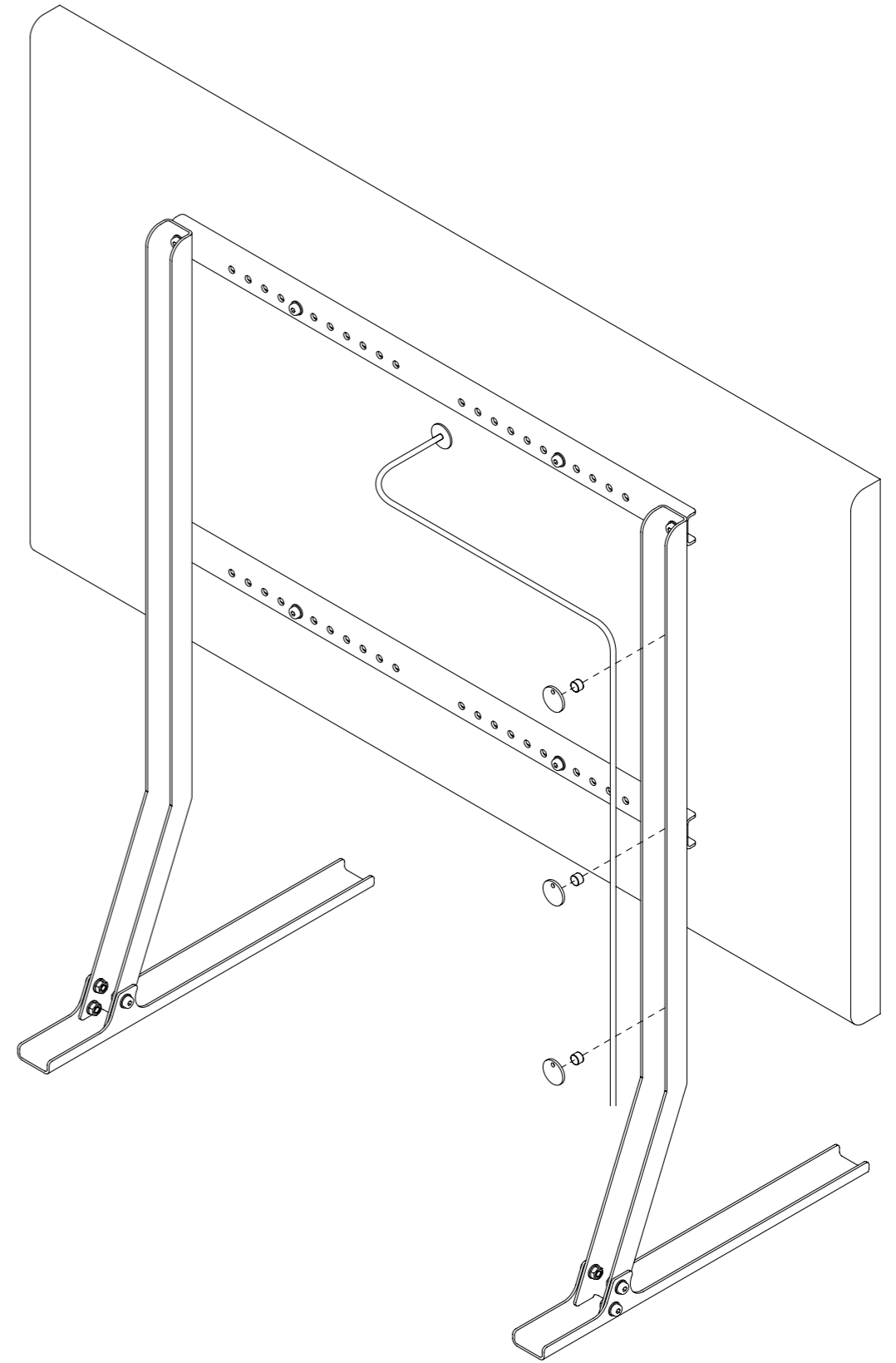
Task

Now tighten all connections between the legs and the brackets.

Parts

1 × Hex key
1 × Wrench

7.0 Organize

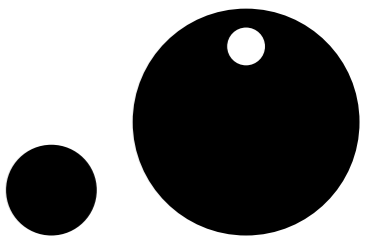


Task

Organize and hide your cables along the brackets and the legs of the stand with the included magnets and cable dots.

Parts

3 × Magnets
3 × Cable dots



Screen steady

Popcorn ready



pedestal®

